

REVOTRUCK MECALAC



**REVOTRUCK**

**MecALAC**



# THE MECALAC REVOLUTION

Mecalac has created the Revotruck, a unique piece of engineering that combines the revolution of the cab with off-road truck capabilities. Operators can now rotate the entire cab at the touch of a button to keep their vision and focus on the job and obstacles on site. The exclusive chassis with central oscillation ensures stability and traction in all ground conditions. Together with extreme ease of use and accessibility, the Revotruck makes material transport smarter and safer.







# SAFETY ORIGIN OF THE REVOLUTION

***Site dumpers can quickly change the dynamic of a jobsite. Compact and maneuverable in all ground conditions, they provide an efficient solution to material movement on the jobsite. However conventional site dumper remain dangerous machines, especially because the front load obstructs visibility when driving forward, exposing drivers to major accidents.***

Alternative products such as reversible dumpers have attempted to solve this problem for a long time (since the 1950s) by proposing rotating driving platforms. However, we have observed that operators always stay in the same position without using the rotating platform:

- Turning the heavy console is uncomfortable and time-consuming. Moreover, this manual operation is performed in a restricted space for driver's legs, making it laborious when repeated throughout the working day
- With a rotating console but a fixed cab, all cab elements (mirrors, doors, windscreen..) are never at the right position when the platform is rotated
- Access is only possible from one side of the machine and once the platform is facing forward

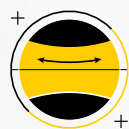
Based on our user-centric innovation process, we have created a new type of vehicle for smarter and safer material transport. This revolution has a name: The Revotruck.

The Revotruck is not just a dumper; it is an iconic machine with a rotating cab and an exclusive chassis architecture that combines stability and mobility.



# “ IMAGINE THE SAFEST AND MOST CONVENIENT SITE DUMPER ”

- This is our mission -



VISIBILITY



SAFETY



ACCESSIBILITY



ERGONOMY







MOBILITY

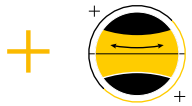


STABILITY

Skip Road

	Visibility	Safety	Accessibility	Ergonomy	Mobility	Stability
 Roll bar	✓	✗	✗	✗	✗	✗
 Cab	✓	✗	✓	✗	✗	✗
 Swivel seat	✓	✓	✓	✗	✗	✗
 <b>REVOTRUCK</b>	✓	✓	✓	✓	✓	✓





REVOTRUCK CONCEPT

# VISIBILITY

## REVOLUTION OF THE CAB EYES & MIND ON THE TASK

Getting the best view over the work without having to manoeuvre is now possible with the fully rotating cab of the Revotruck. Unlike existing solutions that offer limited two-way views, the infinite cab positions of the Revotruck open up visibility in all directions, allowing maximum concentration of the drivers on the job and surrounding elements (workers, machines..).

We have not only created the Revotruck to revolutionize the way to work with a dumper, we have done it to enhance operators' safety and well-being.







## SMARTER & SAFER OPERATIONS

The rotating cab of the Revotruck turns up to 225-deg to provide 360-deg visibility of the surroundings and skip movements. Drivers always face the direction of travel, reducing downtime for tricky manoeuvres and drastically lowering the chance of a crash or accident on the worksite.

Best of both worlds, the Revotruck is a rear dump truck when carrying materials and a precise and manoeuvrable site dumper when loading and unloading materials using the skip.



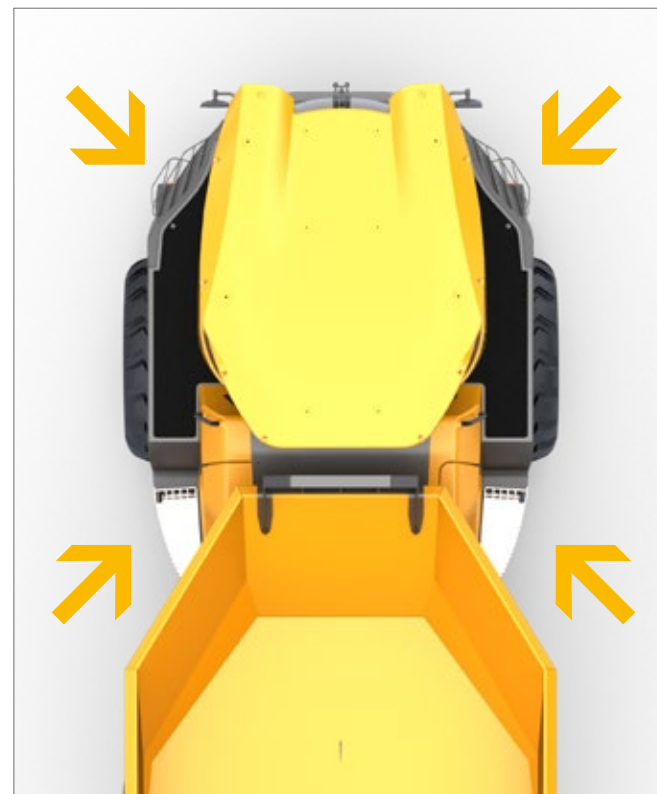
REVOTRUCK CONCEPT

# ACCESSIBILITY

## REVOLUTION IS ALL-AROUND

Our challenge was to provide unrestricted access to the Revotruck to enhance site dumper safety and ergonomics. We have overcome this challenge by designing the chassis around the cabin with large access to each corner of the driver's station.

Therefore, access to the Revotruck is always safe and effortless.







**ALL-AROUND  
ACCESS**



REVOTRUCK CONCEPT

# ERGONOMY

## REVOLUTION AT THE PRESS OF A BUTTON

### IMPROVED WORKING POSTURES

With drivers at the heart of the Revotruck design, we make the revolution of the cab possible at the touch of a button. As a result, drivers constantly maintain a correct body posture and avoid back problems by eliminating back or neck-twisting work positions.

The command center of the Revotruck offers premium comfort to the drivers thanks to the large touch screen and the multifunctional joystick from which all operations and preferences are controlled.

No need to turn a cumbersome console, just press a button to start the revolution!





## **INTELLIGENT CONTROLS** **ALWAYS THE SAME DRIVING LOGIC**

The Revotruck automatically adapts its behaviour to the actual position of the cab in a way that drivers maintain the same driving logic at all times. For example, the direction of travel (forward/reverse) remains unchanged for the driver regardless of the position of the cab, as well as the wheel steering which adapts to the rotation of the cab.

This installed intelligence makes the Revotruck the most intuitive and safest transport solution available on construction sites.





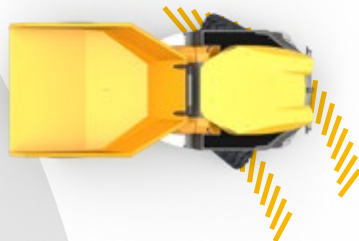
REVOTRUCK CONCEPT

# MOBILITY

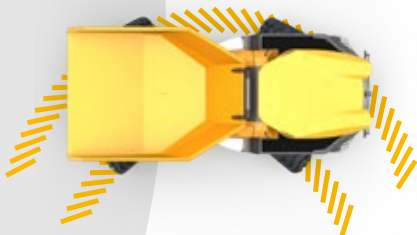
## REVOLUTION IN ITS BODY

The unique chassis of the Revotruck is completed by four equally sized wheels with a switchable steering mode (front steering, all-wheel steering and crab steering) that opens up possibilities for working with superior agility in the tightest spaces and with the tightest turning radius of the market.

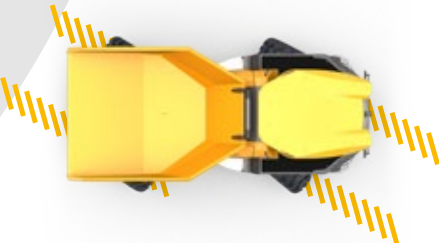
### 2 WHEEL STEERING



### 4 WHEEL STEERING



### 4 WHEEL CRAB STEERING



ARTICULATED DUMPER







REVOTRUCK CONCEPT

# STABILITY

## POWER OF AGILITY

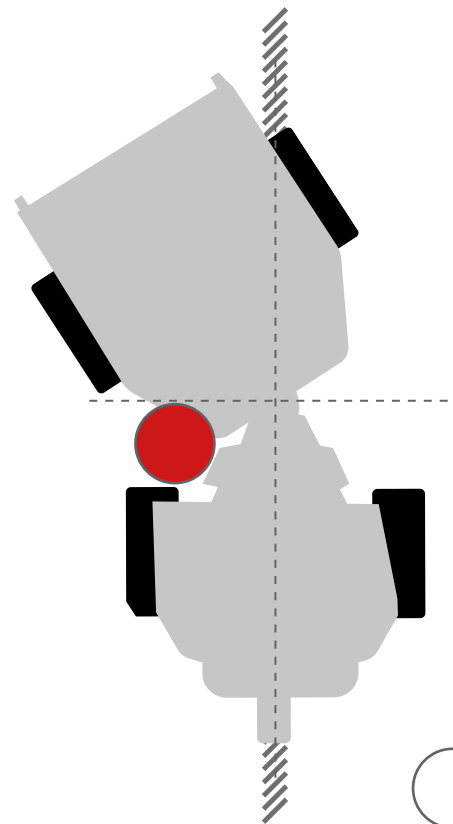
Inspired by slope tractors, the Revotruck delivers exceptional stability. The central linkage between the two parts of the chassis offers up to 20° of oscillation.

The two oscillating ends of the chassis follow the contour of the terrain independently, thus assuring stability and traction in all conditions.



### ARTICULATED DUMPER

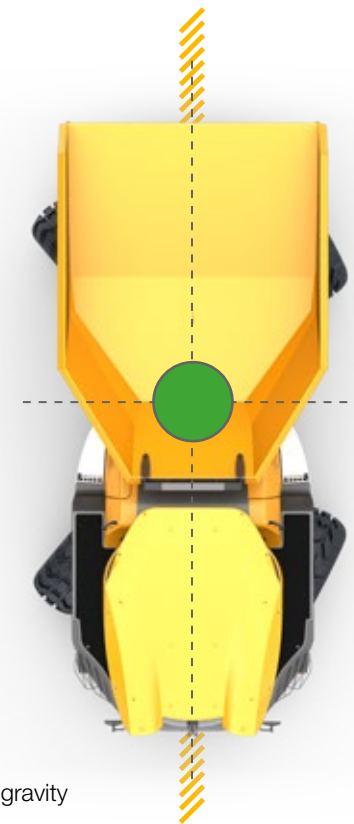
#### ARTICULATED CHASSIS



LIMITED STABILITY

### REVOTRUCK

#### ALL-WHEEL STEERING RIGID CHASSIS



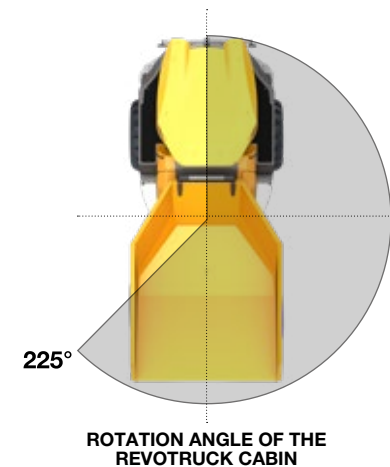
TOTAL STABILITY

○ Center of gravity

# + TECHNICAL DATA



PERKINS ENGINE	
EU Stage V / U.S. EPA Tier 4 Final	
Water-cooled 4-cylinder diesel	
2800 cm <sup>3</sup> (171 in <sup>3</sup> )	
55 kW (74hp)	
380 Nm (280 ft.lbf) at 1380 rpm	
2400 rpm	
Turbocharged	
Electronic high pressure common rail	
Diesel Oxidation Catalyst (DOC) + Diesel Particulate Filter (DPF)	









WATCH THE VIDEO



**MECALAC FRANCE S.A.S.**  
2, avenue du Pré de Challes  
Parc des Glaisins – CS 40230  
Annecy-le-Vieux  
FR - 74942 Annecy Cedex  
Tel. +33 (0)4 50 64 01 63

**MECALAC BAUMASCHINEN  
GMBH**  
Am Friedrichsbrunnen  
D-24782 Büdelsdorf  
Tel. +49 (0)43 31/3 51-319

**MECALAC CONSTRUCTION  
EQUIPMENT UK LTD**  
Central Boulevard,  
ProLogis Park  
Coventry, CV6 4BX, UK  
Tél. +44 (0)24 7633 9539

**MECALAC İŞ MAKİNELERİ  
SAN VE TIC. LTD. ŞTİ.**  
Ege Serbest Bölgesi Nilüfer 1 Sok. No: 34  
35410, Gaziemir  
İzmir - Türkiye  
Tel. +90 232 220 11 15

**Mecalac**



[WWW.MECALAC.COM](http://WWW.MECALAC.COM)