



SOLID
TO SUCCEED

XGS70K



The print does not belong to the contract, nor a part of the vehicle purchase contract. We reserve the right to revise the product model, parameters, configuration based on the continuous improvement requirements of the product, without prior notice. Pictures are for reference only, and the specific product shall depend on the real product.

XGS70K

FEATURES

MEASUREMENTS

69.6m working height
Up to 230/300/460kg lift capacity

PRODUCTIVITY

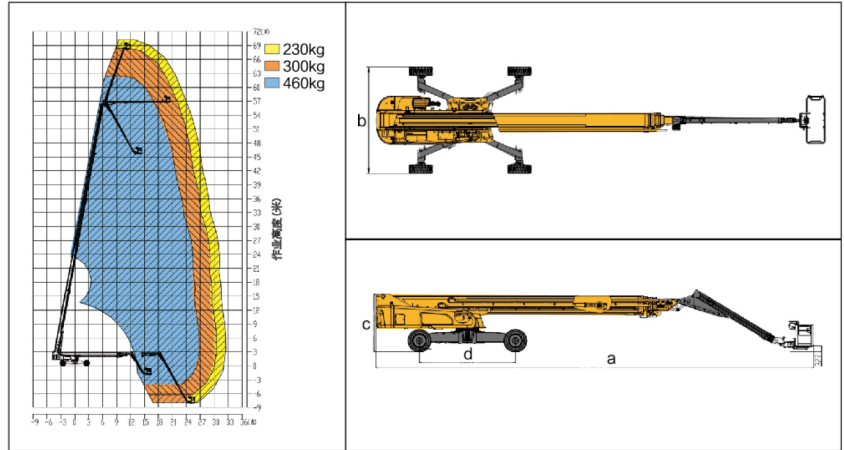
2.4x0.9m working platform
4 driving wheels
4 steering wheels
35% theoretical gradeability
360°continuous turntable rotation
160°platform rotation
Tilt alarm
Drive alarm
Enable switch
Overload alarm
Hourmeter recorder
Lift and lower alarm
Turntable control box
Chassis tilt protection device
Wire rope anti-loosening detection system
Wind speed monitoring protection device
Load and amplitude limit detection system
Platform automatic leveling system
Fully proportional multi-function controls

POWER

Cummins 74kW/(2200r/min)
12V DC emergency power

OPTIONS

Tool tray
Platform working light
Foam-filled rough terrain tires
AC power to the platform
Platform anti-collision device



Item	Unit	XGS70K
Working Height	m	69.6
Platform Height	m	67.6
Working radius	m	32
Lift capacity	kg	230/300/460
Occupant Capacity	-	3
Boom luffing range	°	0 ~ 79.5
Fly jib luffing range	°	-61 ~ 70
Turntable rotation	°	360
Platform rotation	°	160
Drive Speed (retracted/extended)	km/h	4.5/0.2~0.5
Turning Radius axle retracted (inside/outside)	m	7.8/9.7
Turning Radius axle extended (inside/outside)	m	2.7/6.9
Tailswing	mm	2100
Ground clearance	mm	300
Gradeability	%	35
Tires	-	445/55-25 R28
Power source	-	Cummins
Rated power	kW/(r/min)	74 (2200)
Fuel tank	L	210
Hydraulic tank	L	340
Weight	kg	35400
Platform size	mm	2400x900
Transportation dimension	mm	16000x2490x3070
a Length	mm	23150
b Width	mm	5500
c Height	mm	3070
d Wheelbase (axle retracted/axle extended)	mm	5889(5080)