



SOLID
TO SUCCEED

TELESCOPIC BOOM LIFT

XGS40E



The print does not belong to the contract, nor a part of the vehicle purchase contract. We reserve the right to revise the product model, parameters, configuration based on the continuous improvement requirements of the product, without prior notice. Pictures are for reference only, and the specific product shall depend on the real product.

XGS40E

Telescopic boom lift

FEATURES

MEASUREMENTS

40.2m working height
 Up to 300/460kg lift capacity

PRODUCTIVITY

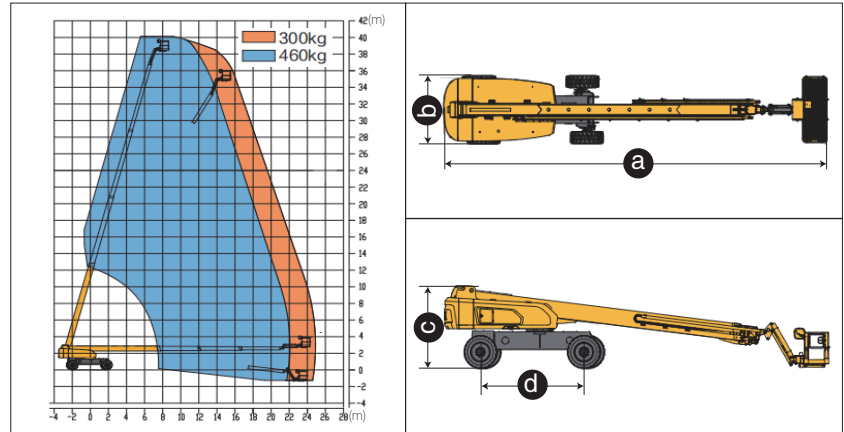
- 2.4m x 0.9m steel platform
- 4 driving wheels
- 4 steering wheels
- 45% theoretical gradeability
- 360° continuous turntable rotation
- 160° platform rotation
- Enable switch
- Hourmeter recorder
- Drive alarm
- Tilt alarm
- Overload alarm
- Axle balance system
- Lift and lower alarm
- Turntable control box
- Flashing beacon
- Solid rubber tires
- Hydraulic oil cooler
- Steering lever control
- Lockable canopy
- Platform automatic leveling system
- Fully proportional multi-function controls

POWER

- Engine protection devices
- Kubota Euro stage V emission
- 12V DC emergency power

OPTIONS

- Tool tray
- Platform working light
- Foam-filled rough terrain tires
- AC power to the platform
- Platform anti-collision device



Item	Unit	XGS40E
Working height	m	40.2
Platform height	m	38.2
Working radius	m	24.9
Lift capacity	kg	300/460
Occupant capacity	-	3
Boom luffing range	°	-6.5~+75
Fly jib luffing range	°	-60~+70
Turntable rotation	°	360
Platform rotation	°	160
Drive speed (retracted/extended)	km/h	5/0.5
Turning radius axle retracted (inside/outside)	m	3.3/6.8
Turning radius axle extended (inside/outside)	m	2.4/5.8
Tailswing	mm	2355/1700
Ground clearance	mm	360
Gradeability	%	40
Tires	-	445/50D710
Power source	-	Kubota V3307
Rated power	kW/(r/min)	54.6/(2200)
Fuel tank	L	180
Hydraulic tank	L	260
Weight	kg	21460
Platform size	mm	2400x900
Transportation dimension	mm	12500x2490x3000
a Length	mm	14060
b Width	mm	2490
c Height	mm	3000
d Wheelbase (axle retracted/axle extended)	mm	2490/3800