



SOLID  
TO SUCCEED

TELESCOPIC BOOM LIFT

XGS28E



The print does not belong to the contract, nor a part of the vehicle purchase contract. We reserve the right to revise the product model, parameters, configuration based on the continuous improvement requirements of the product, without prior notice. Pictures are for reference only, and the specific product shall depend on the real product.

# XGS28E

## Telescopic boom lift

### FEATURES

#### MEASUREMENTS

28.2m working height  
Up to 300/460kg lift capacity

#### PRODUCTIVITY

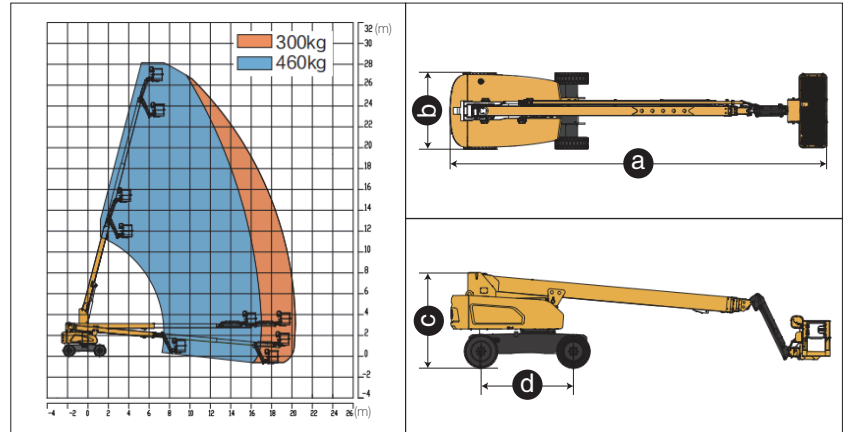
2.4m × 0.9m working platform  
4 driving wheels  
2 steering wheels  
40% theoretical gradeability  
360° continuous turntable rotation  
160° platform rotation  
Enable switch  
Hourmeter recorder  
Drive alarm  
Tilt alarm  
Overload alarm  
Axle balance system  
Lift and lower alarm  
Turntable control box  
Flashing beacon  
Solid rubber tires  
Hydraulic oil cooler  
Steering lever control  
Lockable canopy  
Platform automatic leveling system  
Fully proportional multi-function controls

#### POWER

Engine protection devices  
Kubota Euro stage V emission  
12V DC emergency power

### OPTIONS

Tool tray  
Platform working light  
Foam-filled rough terrain tires  
AC power to the platform  
Platform anti-collision device



Item	Unit	XGS28E
Working height	m	28.2
Platform height	m	26.2
Working radius	m	23
Lift capacity	kg	300/460
Occupant capacity	-	3
Boom luffing range	°	-5~+75
Fly jib luffing range	°	-65~+70
Turntable rotation	°	360
Platform rotation	°	160
Drive speed (retracted/extended)	km/h	6.1/0.6
Turning radius (inside/outside)	m	3.6/6.7
Tailswing	mm	1600
Ground clearance	mm	310
Gradeability	%	40
Tires	-	385/45-28
Power source	-	Kubota V2607
Rated power	kW/(r/min)	48/(2400)
Fuel tank	L	180
Hydraulic tank	L	210
Weight	kg	18300
Platform size	mm	2400×900
a Length (transportation)	mm	12300/10200
b Width	mm	2490
c Height	mm	3050
d Wheelbase	mm	3000