



SOLID
TO SUCCEED

TELESCOPIC BOOM LIFT

XGS28ACK



The print does not belong to the contract, nor a part of the vehicle purchase contract. We reserve the right to revise the product model, parameters, configuration based on the continuous improvement requirements of the product, without prior notice. Pictures are for reference only, and the specific product shall depend on the real product.

XGS28ACK

Telescopic boom lift

FEATURES

MEASUREMENTS

28.8m working height
Up to 300/460kg lift capacity

PRODUCTIVITY

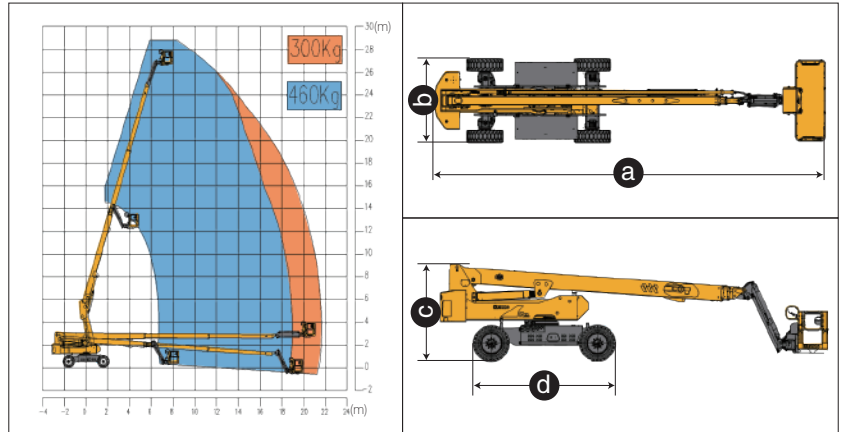
4 wheel drive
Axle balance system
Lowering and moving alarm
Horn
Platform and chassis emergency stop
Emergency power unit
Axle balance pressure detection system
4 wheel brake system
Automatic leveling of platform
Proportional handle control
Proportional joystick control
360° continuous turntable rotation
160° platform rotation
Enable switch
Workhour recorder
Initiative anti-extrusion system

POWER

608Ah/76.8V Lithium battery
12V DC proportional control

OPTIONS

Tool tray
Platform working light
Platform anti-collision device



Item	Unit	XGS28ACK
Working height	m	28.8
Platform height	m	26.8
Working radius	m	22
Lift capacity	kg	300/460
Occupant capacity	-	3
Boom luffing range	°	-4~+73
Fly jib luffing range	°	-65~+70
Turntable rotation	°	360
Platform rotation	°	160
Drive speed (retracted/extended)	km/h	6/0.6
Turning radius (inside/outside)	m	3.5/6.5
Tailswing	mm	1890
Ground clearance	mm	320
Gradeability	%	45
Tires	-	385/45-28
Battery	V/Ah	76.8/608 Lithium
Charger	V/A	80/80 Lithium
Hydraulic tank	L	140
Weight	kg	16600
Platform size	mm	2400x900
a Length (transportation)	mm	11690/11455
b Width	mm	2490
c Height	mm	2925
d Wheelbase	mm	3200

SOLID TO SUCCEED