



SOLID  
TO SUCCEED

TELESCOPIC BOOM LIFT

XGS22E



The print does not belong to the contract, nor a part of the vehicle purchase contract. We reserve the right to revise the product model, parameters, configuration based on the continuous improvement requirements of the product, without prior notice. Pictures are for reference only, and the specific product shall depend on the real product.

# XGS22E

## Telescopic boom lift

### FEATURES

#### MEASUREMENTS

22m working height  
Up to 300/460kg lift capacity

#### PRODUCTIVITY

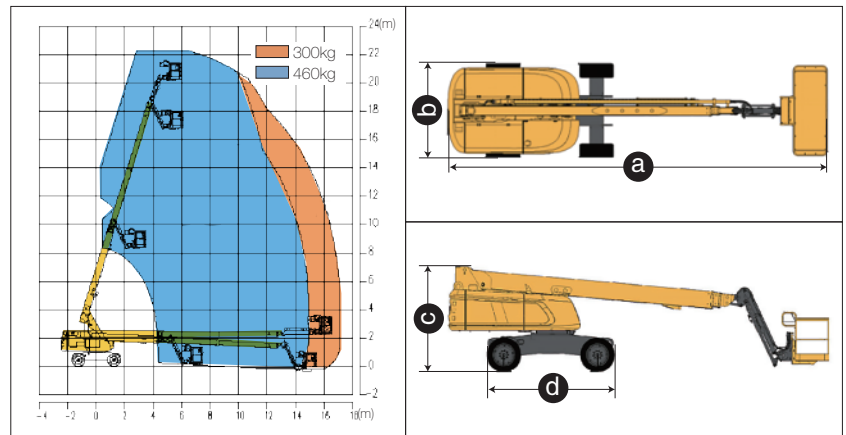
2.4m × 0.9m working platform  
4 driving wheels  
2 steering wheels  
45% theoretical gradeability  
160° platform rotation  
Fully proportional multi-function controls  
Lift and lower alarm  
Drive alarm  
Tilt alarm  
Overload alarm  
Axle balance system  
Platform automatic leveling system  
Enable switch  
Hourmeter recorder  
360° continuous turntable rotation  
Flashing beacon  
Solid rubber tires  
Hydraulic oil cooler  
Steering lever control

#### POWER

Engine protection devices  
Kubota/Deutz Euro stage V emission  
12V DC emergency power

### OPTIONS

Tool tray  
Platform working light  
Foam-filled rough terrain tires  
AC power to the platform  
Platform anti-collision device  
Deutz D2.9L4 36.4kW/(2600r/min)



Item	Unit	XGS22E
Working height	m	22
Platform height	m	20
Working radius	m	17.2
Lift capacity	kg	300/460
Occupant capacity	-	3
Boom luffing range	°	-3~+73
Fly jib luffing range	°	-65~+70
Turntable rotation	°	360
Platform rotation	°	160
Drive speed (retracted/extended)	km/h	6.3/0.6
Turning radius (inside/outside)	m	3.28/6
Tailswing	mm	1310
Ground clearance	mm	230
Gradeability	%	45
Tires	-	36×14-20;335/55D625
Power source	-	Kubota V2403
Rated power	kW/(r/min)	36.8/(2700)
Fuel tank	L	150
Hydraulic tank	L	120
Weight	kg	12460
Platform size	mm	2400×900
a Length (transportation)	mm	10080/7880
b Width	mm	2490
c Height	mm	2460
d Wheelbase	mm	2500