

LGMG

SR1323D

DIESEL RT SCISSOR LIFT

- Larger work platform with high capacity offers great productivity.
- Powerful diesel engine, oscillating axels and four-wheel drive provide better performance on most rough terrain job sites.
- The overload system and motion alarm help the operator to complete the job in a much safer way.
- Pull-out engine tray for easy access and maintenance.
- On-board self-diagnosis system makes it easier for quick troubleshooting.



LGMG Diesel RT Scissor Lift

SPECIFICATIONS

| MODELS | SR1323D (SR4390D) | |
|--|---------------------|-------------|
| Measurements | Metric | Imperial |
| Work Height Max. | 15m | 49'3" |
| A Platform Height - Raised | 13m | 42'8" |
| B Platform Height - Stowed | 1.83m | 6' |
| C Platform Length | 3.98/4.81m | 13'1"/15'9" |
| D Platform Width | 1.83m | 6' |
| E Overall Length (with ladder) | 4.9m | 16'1" |
| F Overall Width | 2.3m | 7'7" |
| G Overall Height - Rails up | 2.96m | 9'9" |
| Overall Height - Rails down | 2.28m | 7'6" |
| H Extension Deck (Front / Rear) | 1.45/1.14m | 4'9"/3'9" |
| I Wheelbase | 2.85m | 9'4" |
| Ground Clearance-Center | 0.23m | 9" |

PRODUCTIVITY

| | | |
|-------------------------------|------------------|----------|
| Max. Platform Occupancy | 7(in) / 7(out) | |
| Platform Capacity | 680kg | 1500 lbs |
| Platform Capacity - Extension | 230kg | 510 lbs |
| Drive Height | Full Height | |
| Gradeability - Stowed | 40% | |
| Min. Turning Radius | 5.33m | 17'6" |
| Raise/Lower Speed | 55 / 55s | |
| Brakes | Four-wheel brake | |
| Drive Mode | 4x4 | |
| Tires Type | Solid | |
| Tires Size | 835x290mm | 33"x11" |

POWER

| | | |
|--------------------|-----------------------------|-------|
| Power Source | Deutz D2.9 L4 36.4kw/48.8hp | |
| Fuel Tank Capacity | 110L | 30gal |

HYDRAULIC SYSTEM

| | | |
|----------------------|------|-------|
| Hydraulic Oil Volume | 140L | 37gal |
|----------------------|------|-------|

WEIGHT

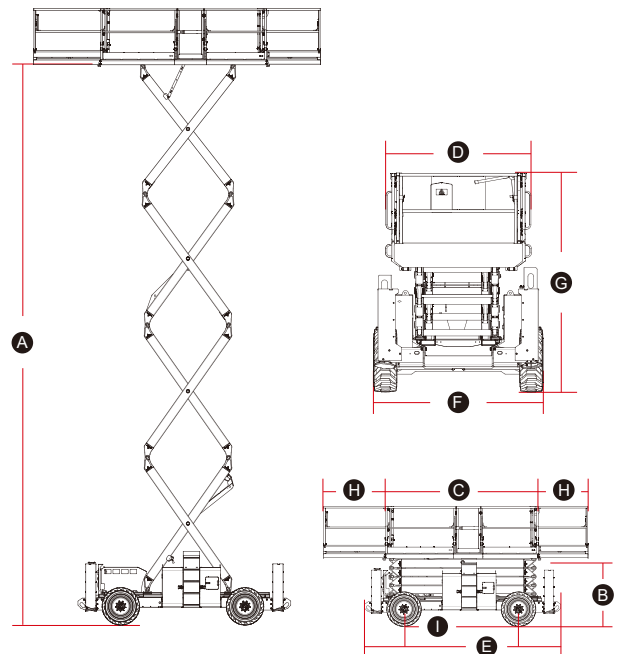
| | | |
|------------------------------------|--------|-----------|
| Machine Weight (7.4m platform, CE) | 7460kg | 16450 lbs |
|------------------------------------|--------|-----------|

STANDARD FEATURES

| | |
|-----------------------|------------------------------------|
| Proportional control | Tilt alarm with lift cut-out |
| Foldable guardrail | Overload sensing system |
| Emergency stop device | Descent alarm with flashing beacon |
| Manual brake release | All motions alarm |
| Emergency descent | Intelligent diagnostic system |
| Oscillating axle | Auto-leveling outriggers |
| Self-lock entry gate | Solid tires |

OPTIONAL

| | |
|-----------------------------|-------------------------------|
| Telematics | Pipe racks |
| AC power to platform | Solid non-marking tires |
| Cold weather package | Foam-filled tires |
| Biodegradable hydraulic oil | Foam-filled non-marking tires |



Please contact LGMG or a local dealer for more details.

LGMG reserves the right to change technical data without prior notice. All photos and pictures in this brochure are for promotional purposes only.

This brochure comes into effect in May, 2023.

LINGONG HEAVY MACHINERY CO., LTD.

Address: No. 2676, Kejia Road, Jinan, Shandong, China

Email: sales@lmgm.com.cn Tel: +86 531 6787 9283

LGMG Europe B.V.

Address: Donker Duyvisweg 301, 3316 BL Dordrecht, The Netherlands

Email: sales@lmgmeurope.com Tel: +31 850 642 777

LGMG North America Inc.

Address: 4105 Live Oak Drive, Suite 100, The Colony, Texas 75056 United States

Email: sales@lmgmna.com Tel: +1 833 288 5464

www.lmgmlifts.com



RELIABILITY IN ACTION