

# LGMG

## SR1218D

### DIESEL RT SCISSOR LIFT



- Larger work platform with high capacity offers great productivity.
- Powerful diesel engine, oscillating axels and four-wheel drive provide better performance on most rough terrain job sites.
- The overload system and motion alarm help the operator to complete the job in a much safer way.
- Pull-out engine tray for easy access and maintenance.
- On-board self-diagnosis system makes it easier for quick troubleshooting.



# LGMG Diesel RT Scissor Lift

## SPECIFICATIONS

MODELS	SR1218D ( SR4069D )	
Measurements	Metric	Imperial
Work Height Max.	13.9m	45'7"
<b>A</b> Platform Height - Raised	11.9m	39'1"
<b>B</b> Platform Height - Stowed	1.56m	5'1"
<b>C</b> Platform Length	2.79m	9'2"
<b>D</b> Platform Width	1.6m	5'3"
<b>E</b> Overall Length (with ladder)	3.76m	12'4"
<b>F</b> Overall Width	1.79m	5'10"
<b>G</b> Overall Height - Rails up	2.7m	8'10"
Overall Height - Rails down	2.04m	6'8"
<b>H</b> Extension Deck	1.52m	5'
<b>I</b> Wheelbase	2.29m	7'6"
Ground Clearance-Center	0.23m	9"

## PRODUCTIVITY

Max. Platform Occupancy	3(in) / 2(out)	
Platform Capacity	365kg	805 lbs
Platform Capacity - Extension	140kg	310 lbs
Drive Height	Full Height	
Gradeability - Stowed	35%	
Min. Turning Radius	4.75m	15'7"
Raise/Lower Speed	61 / 55s	
Brakes	Four-wheel brake	
Drive Mode	4x4	
Tires Type	RT Foam-filled	
Tires Size	663x283mm	26"x11"

## POWER

Power Source	Kubota D1105 18.5kw/24.8hp	
Fuel Tank Capacity	53L	14gal

## HYDRAULIC SYSTEM

Hydraulic Oil Volume	50L	13.2gal
----------------------	-----	---------

## WEIGHT

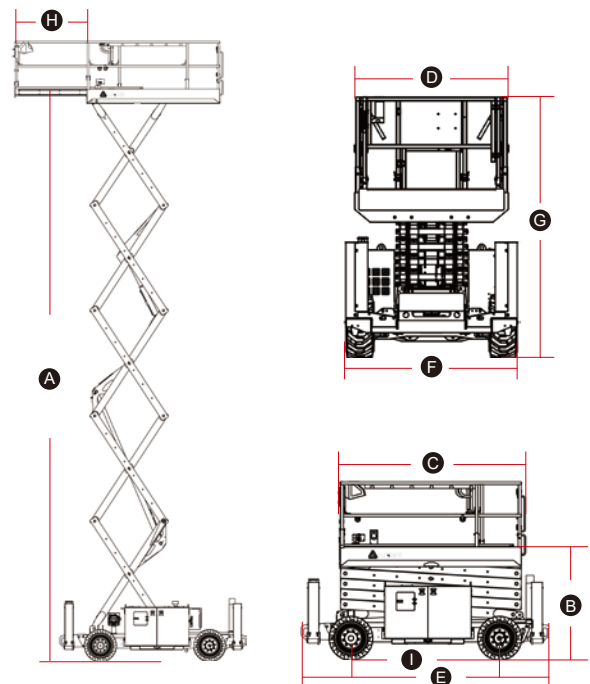
Machine Weight with Outriggers (CE/ANSI)	5080kg	11200 lbs
--	--------	-----------

## STANDARD FEATURES

Proportional control	Emergency stop device
Foldable guardrail	Manual brake release
Emergency descent	Tilt alarm with lift cut-out
Oscillating axle	Overload sensing system
Self-lock entry gate	Intelligent diagnostic system
All motions alarm	Descent alarm with flashing beacon
Auto-leveling outriggers	RT Foam-filled tires

## OPTIONAL

Telematics	Solid tires
AC power to platform	Solid non-marking tires
Cold weather package	Foam-filled non-marking tires
Biodegradable hydraulic oil	



Please contact LGMG or local dealer for more details.

LGMG reserves the right to change technical data without prior notice. All photos and pictures in this brochure are for promotional purpose only. This brochure comes into effect in May, 2023.

### LINGONG HEAVY MACHINERY CO., LTD.

Address: No. 2676, Kejia Road, Jinan, Shandong, China  
 Email: sales@lmgm.com.cn Tel: +86 531 6787 9283

### LGMG Europe B.V.

Address: Donker Duyvisweg 301, 3316 BL Dordrecht, The Netherlands  
 Email: sales@lmgmeurope.com Tel: +31 850 642 777

### LGMG North America Inc.

Address: 4105 Live Oak Drive, Suite 100, The Colony, Texas 75056 United States  
 Email: sales@lmgmna.com Tel: +1 833 288 5464

www.lmgmglifts.com

 **LGMG**  
 RELIABILITY IN ACTION