

**100**  
ATLAS 1919 - 2019

**ATLAS**  
SINCE 1919

**SAFE. POWERFUL. RELIABLE.**

**50** years in the road



# **RAIL-ROAD EXCAVATORS**

**FROM 18,5 TO 23 TONS (according to EN 15746-1)**

[WWW.ATLASGMBH.COM](http://WWW.ATLASGMBH.COM)

# ATLAS – CONSTRUCTION MACHINERY MANUFACTURER WITH TRADITION

## From person to person

When Hinrich Weyhausen started selling construction and agricultural machinery in 1919, he discovered that the machines which his customers actually needed were not available. So he listened to them carefully and went about building the machines himself – exactly according to the requirements of the people who used his machines every day. He carried out pioneering work with a passion under the brand name of Atlas. His focus was always on the benefit of the machines. And nothing has changed for us in terms of this ideal today.



**Atlas will make you strong  
with excellent products and  
a comprehensive service.**



With highly motivated employees, a great deal of commitment and expertise ATLAS GmbH develops successful crane & excavator technologies. Numerous customers, engineers and experts all around the globe have made their contribution. The result is robust equipment to enable you to work more effectively and safely than ever before.

As our know-how grew, so too did our dealer and service network worldwide.

We can hence guarantee – in those days and today too – that we will always be on the spot when you need us.



Atlas manufactures a wide range of equipment for the construction, railroad, material handling and infrastructure industries. You will find more information on Atlas under [www.atlasgmbh.com](http://www.atlasgmbh.com).

### CONSTRUCTION



### TRANSPORT



### INFRASTRUCTURE



### RECYCLING



# CUSTOMER SATISFACTION IS OUR PRIORITY!

## WE ARE COMMITTED

to providing our customers with highest quality products and services.

## QUALITY STANDARDS AND CUSTOMER SATISFACTION

are measured in terms of service performance, reliability, relevance and timeliness.

## OUR COMPANY'S MISSION, GOALS AND OBJECTIVES

are directed towards ongoing process improvement as a basis for strengthening our competitive position and for improving product quality and service standards.

## QUALITY STANDARDS AND CUSTOMER SATISFACTION

are measured in terms of product performance and reliability.

# PRODUCT RANGE

▪ 1404ZW ▪ 1404ZW-CR ▪ 1604ZW





**EXTENSIVE DEALER NETWORK  
EXCELLENT SERVICE  
CUSTOMER FOCUSED**

# UNCOMPROMISINGLY BUILT FOR HIGH PERFORMANCE

Atlas builds its wheeled excavators especially for the hardest construction sites. The result is the robust machines to withstand the worst possible working conditions.

High-strength materials, high productivity and cost-effectiveness — save time and money for future.

New quieter exhaust system covering new Euro STAGE V / US EPA emission standards with a sealed diesel particle filter.

New EU Stage V engines — lower exhaust emissions



New attractive counterweight design and better weight distribution



Always secured - new camera system with 7" display for rear and side cameras.



New "LED" rear lights for better visibility and safety



Intelligent hydraulics for more productivity and perfect controls. Load-independent overlapping of working motions.



Automatic air conditioning as standard



Improved air intake to optimize engine's cooling



Particularly effective boom design — extremely light and enormously robust booms

Ideal weight distribution, fatigue-free work and fast turnover

Functional and spacious cab design adapted to your needs

# SAFE. POWERFUL. RELIABLE.

## Building on technology – High-tech excavator for use on rails.

ATLAS rail-road excavators were especially developed for use on rails and combine optimum mobile excavator technology with the most up-to-date know-how for rail use. This is your guarantee for top performance, even with difficult track conditions. We were the first to put an excavator on rails in 1965.

We were market and technology leaders in this field back then and still are today. As the sole world-wide supplier, we offer the computer assisted rail contact pressure system (CARSY).



We are the sole manufacturer in Europe of rail-road, short tail swing excavators with a swing radius of less than 2000 mm in combination with the approval of German Federal Railways. We can offer any chassis configuration to fit any rail network for our world-wide customers.





## THE RIGHT CHOICE EVERY TIME

We offer rail-road excavators of three types. In particular, the excavators comply with the latest construction requirements of the German Federal Railways.

### ATLAS - CONSTRUCTION MACHINERY MANUFACTURER WITH TRADITION

Take advantage of our many years of know-how and experience for your application: on rail, alongside the track and mounted on the railway wagon.



As option available: Friction Drive System available for 1404 ZW-CR with track width 1000 mm.

With the CARSY-System			
			Tailswing, mm
<b>1404 ZW</b>	18,5 - 20 t	95 kW (130 HP)	1575, 1700, 1950
<b>1404 ZW-CR</b>	20,3 - 20,7 t	95 kW (130 HP)	1575, 1700, 1950
<b>1604 ZW</b>	21 - 23 t	115 kW (157 HP)	1750, 1950



# A PLEASURE IN OPERATION

**Safety, power and fast and comfortable operation set our rail-road excavator apart, making it amongst the most pleasurable machines to operate on rail or on site.**

## **SPEED – WORKING FASTER THAN EVER**

- The required pressures on the rail guidance wheels are automatically set when the 1404 ZW and 1604 ZW are re-railed. No awkward external adjusting screw to set the contact pressure on the tyres.
- Innovative AWE 4 technology for sensitive, proportional control of all movements irrespective of load. Travel and work simultaneously. This is the big advantage to you.
- Front and rear wheels can be controlled independently (not with the friction wheel version).
- Simple de- and re-railing ensure high operating comfort for fast, safe and efficient operation.

## **TRACTIVE FORCE**

- Faster on the construction site: the enormous power allows you to use our rail-road excavator as a “shunting locomotive”. Both models are approved for 88,185 lbs unbraked trailer weight and 264,555 lbs braked trailer weight. We can also supply with a wagon brake on request.

## **PRECISE OPERATION – OPTIMISED FOR THE TRACK**

- 4 outrigger stabilizers (with the 1604 chassis) adapt optimally to the rail embankment.
- Customized specification: tailor your excavator precisely to your requirements from the various superstructures and chassis, for example the superstructure of the 1404 ZW can be mounted on the chassis of the 1604 ZW for maximum stability with ultra short tail swing.
- Counterweights suitable for the application can be rapidly changed.
- The loading gauge for wagons is met.





## A SPACE-SAVER – GREAT WHEN IT GETS TIGHT

- Rail-road excavator with ultra short tail swing. Choose between the different counterweight options.
- The 1404 ZW features the shortest tail swing on the market at 1575 mm making it suitable without restriction for any spacings between rail tracks.
- For narrow gauge tracks, use the 1404 ZW rail-road excavator friction wheel with its up to 1000 mm narrow axles.



## RELIABLE – BECAUSE EVERY MINUTE COUNTS

Our market leadership is based on our well-proven technology tried and tested a thousand times over in the most arduous applications. High-tensile steels, robust electric and electronic components as well as excellent workmanship in all hydraulic components ensure that the excavator is the reliable heart on any construction site.



# POWER



Deutz turbo-charged engines provide fast and powerful motions, a powerful drive train, fast cycle times and dynamic development in performance.

## 1. GOOD FOR THE ENVIRONMENT

- DEUTZ TCD 4.1 L4 - The new engines meet the EU Stage V/ US EPA emissions standards.
- Engines benefits from an exhaust-gas after treatment system with a sealed diesel particulate filter and combined SCR catalyst recovery.

## 2. GOOD FOR YOUR WORK:

- Fuel savings of up to and even above 5 percent compared with EU Stage V interim engine.
- Lower emissions – better performance.
- Compact design and enormous power density at very low engine speeds.
- Long service life.
- Turbo charged with intercooler.

## 3. GOOD FOR YOUR COMFORT AND FOR YOUR NERVES

- Particularly quiet engine.
- Low maintenance costs, easily accessible maintenance points and little need for servicing.
- A large selection of replacements parts allows fast and inexpensive service.
- Engine controller that supplies the display with operating and service data.

## OPTIONS:

- Automatic idle running. When the excavator is not working or moving the engine speed automatically reduces and fuel consumption is lowered.



## HYDRAULIC SYSTEM by *Linde* PRECISION CONTROL

- The rail-road excavators are fitted with well-proven load-sensing hydraulics. Our intelligent AWE 4 hydraulic management system allows simultaneous movements to be carried out irrespective of load. For more productivity and safe operations.
- The power you need, at the right time. For fast cycles or high lifting capacity: our load-sensing system attunes the method of operation of the excavator exactly to your application. For greater economy – you save fuel and maintenance costs.

## WHAT YOU SHOULD ALSO KNOW

- Primary and secondary overload protection.
- Suction valves for all operating functions.
- Overload lock valves, precision lowering valves and travel brake valve.
- **Pipe break protection valves for lifting and articulated cylinders**  
**Optionally also on adjusting and articulating cylinders.**
- Emergency steering and pressure reservoir for emergency lowering of the boom system.
- Proportional control of attachments by slider in joystick as standard.



## FAR-SIGHTEDNESS

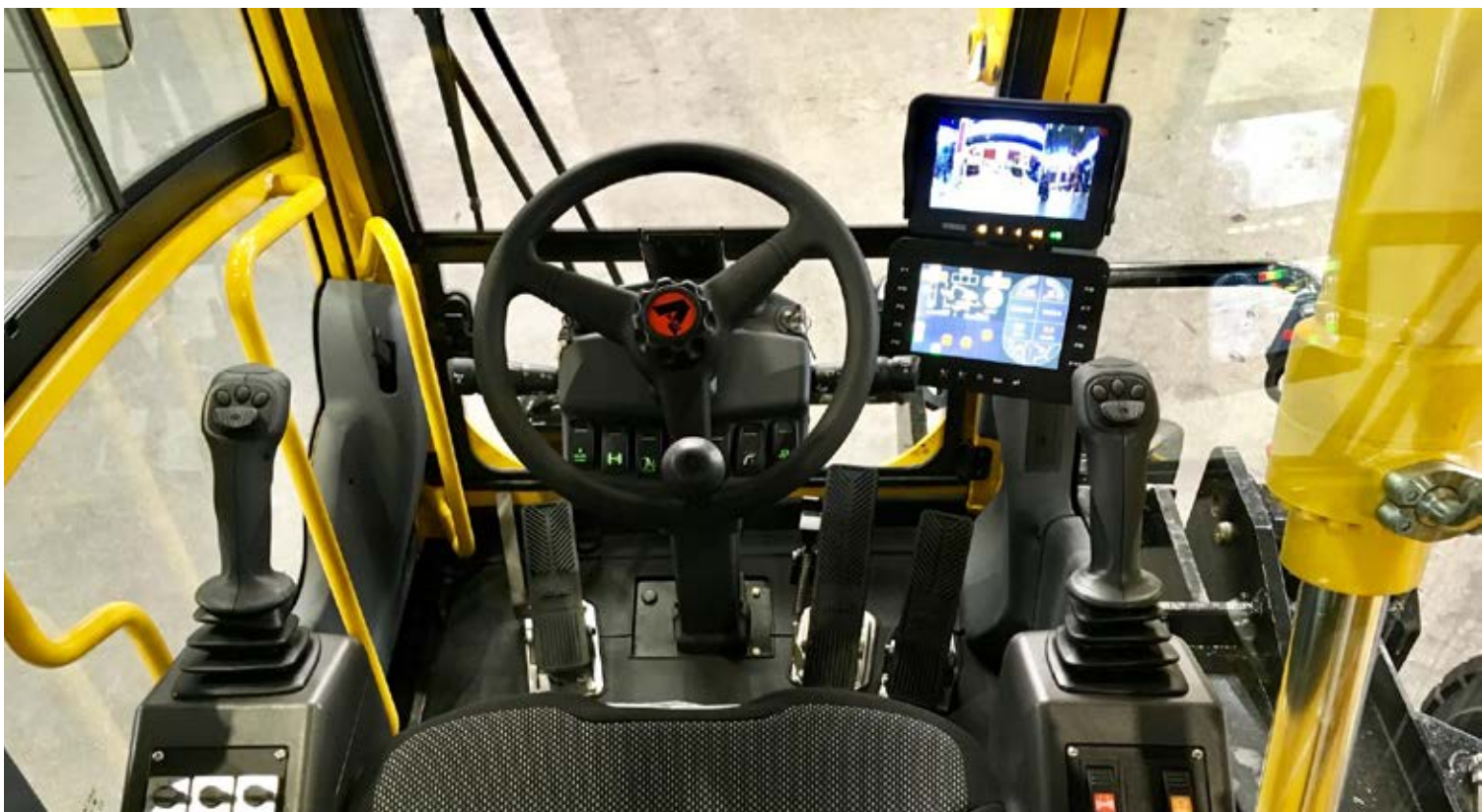
**Our roomy two-man cab is the largest on the market and provides everything you need to work comfortably and efficiently.**

### THE CAB WITH MORE VIEW

- Two-man cab with excellent all-round vision.
- Optimum lay-out of the controls provides clear view of the attachment.
- Optional: rear view monitoring with camera and display.

### WELCOME TO THE “FEEL-GOOD” WORKPLACE

- The cab is very well isolated from vibrations.
- The sound pressure level is very low thanks to the high quality sound insulation.
- Air conditioning is standard including a defrosting function for fast demisting and de-icing of the windscreen.
- The air-cushioned operator's seat is individually adjustable in all movements.  
Backrest, lumbar support, cushion length and angle can all be easily adjusted.
- The narrow steering column gives excellent vision to the attachment and the rail bogie.



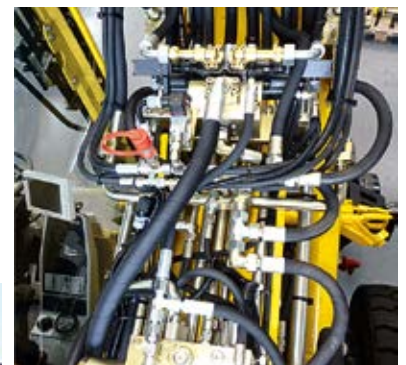
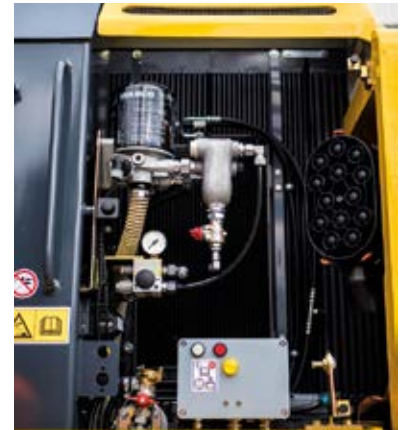
# THOROUGHLY DESIGNED

## STABILITY

- Low centre of gravity ensures optimum stability in operation. Assisted by a transverse mounted engine.

## SAFE ON RAILS

- The outriggers are automatically lifted when the “drive” function is selected. This avoids damage during rail operation.
- Continuous monitoring of contact pressure. (not friction wheel version).
- The air reservoirs of the wagon brake are located in the superstructure and chassis and are very well protected.
- De-railing of the bogie by the outriggers is automatically eliminated.





## ELECTRONIC SWING AND HEIGHT LIMITATION AS WELL AS NEW LOAD TORQUE LIMITATION

- Computer assisted swing limitation, which proportionally reduces the superstructure speed electronically when the limit is reached.
- Electronic height limitation eliminates the risk of the excavator boom from coming into contact with obstacles above such as power cables. The maximum articulating boom height, relative to the point of reference, is taken into account. The system recognizes whether the clamshell or bucket are fitted and adjusts the programmed operating height accordingly. The motion stops when the programmed limit is reached.
- Swing and height limitation can be comfortably programmed from the operator's seat. It is not necessary to get out of the machine.
- According to EN 15746-2 with load torque limitation. (1404ZW-CR and 1604ZW)

## EMERGENCY DERAILING

- Emergency de-railing is permanently available and doubly protected. Firstly by connecting the hydraulics to the cigarette lighter via an electric cable. Secondly by a fixed emergency hydraulic hand-pump.
- An electric emergency pump is available as an option.
- Emergency lowering of the rail bogie is permanently available.



# GUIDANCE FORCE

Numerous components ensure safe and strong contact between chassis and rail.

## GO INTO (RAIL) GUIDANCE MODE

Our CARSY system (Computer assisted rail contact pressure system) electronically ensures the optimum pressure on the rail is maintained continuously and automatically.

- The required pressures are automatically set, continuously monitored and adjusted if necessary.
- The front and rear bogie wheels can be independently switched to permit simple re-railing and de-railing and positive by-passing of rail points.
- Automatic self-diagnostics of the electronics.
- Available for 1404 ZW and 1604 ZW models.

## OPERATION AT THE OPTIMUM LEVEL

- Continuous self-leveling of the rail running gear ensures smooth movement of the rail-road excavator when travelling on rail.

## OPTIMUM GRIP

- Bogie axle box with optimum oscillation in the axle mountings. The successful result: safe operation especially on uneven construction site tracks and in cornering.
- With the friction wheel model, traction is provided via a non-slip friction roller.





# STABLE



The low centre of gravity and our compact design guarantee high stability with excellent off-road mobility. 1604ZW also has a bilateral barrier on the track wheel cylinder at a swing of 5° from the longitudinal axis and at a standstill.

## FIRST CHOICE

The right chassis for any application: with or without outriggers with different track gauges and different wheelbases.

## DRIVING POWER

Whether in crawling speed or top speed – the high torque drives the excavator quickly and safely through any terrain, assisted by the well-proven traction characteristics of our tires. The sensitive power assisted steering on the oscillating axle transforms any rough terrain into a “straight road”. Even at high-speed road travel, the EU Stage V series impresses through its road holding and thereby provides excellent handling characteristics. Further, 1604ZW has a traction increase at the push of a button that if needed increases the contact pressure of the drive wheels on the track by about 20%. The so-optimized driving leads to improved load starting.

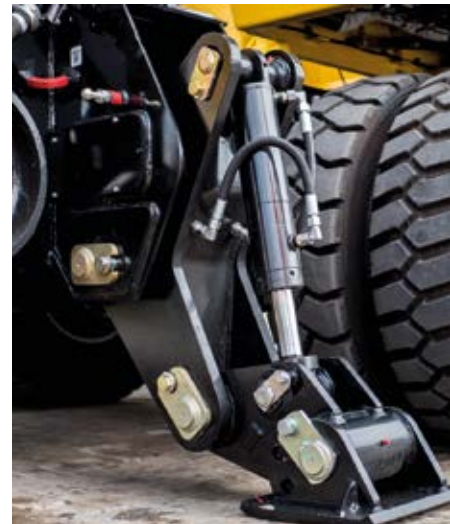
The chassis incorporates robust, specially designed excavator axles with planetary drives in all 4 wheel hubs. All-wheel drive, a variable displacement motor and a double-action brake-valve are standard.

## RELIABILITY – HERE WE ARE PLAYING IT SAFE

- Tie-down lugs for fast and safe securing of the excavator for transport on rail or road.
- Steering axle with automatic oscillation lockout to allow travel with heavy loads in any terrain. Activation of the lockout either automatically when braking or manually.

## OTHER SAFETY ASPECTS

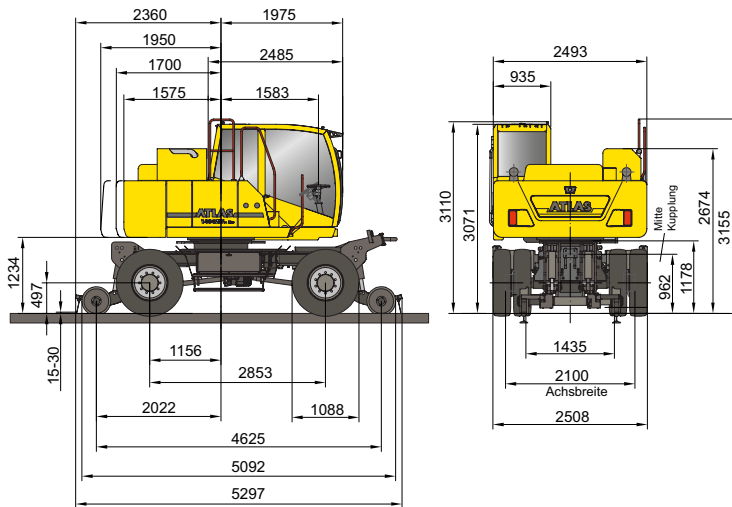
- Brakes: wet, maintenance-free multi-disc brake.
- Excellent emergency steering characteristics.



# TECHNICAL SPECIFICATION 1404 ZW-CR

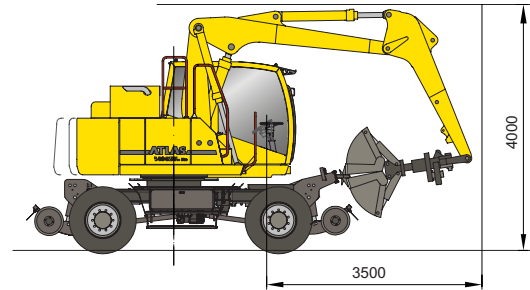
## MAIN DIMENSIONS

Base machine A41.41 – without outriggers, track 1435 mm



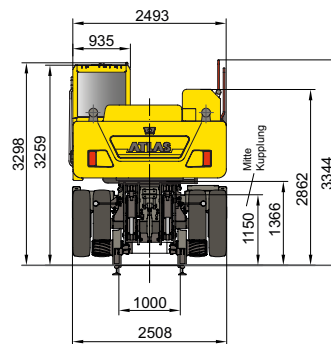
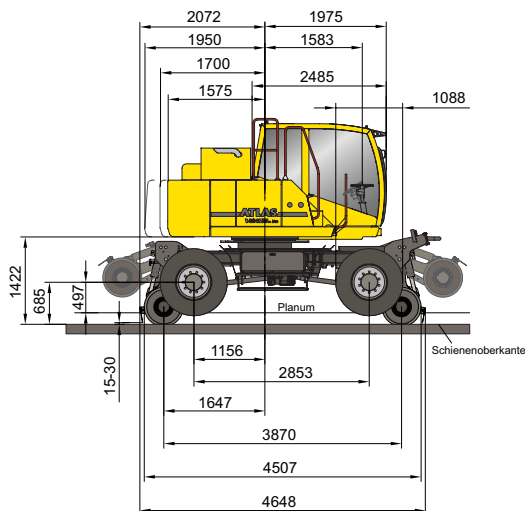
## TRAVEL CONFIGURATION WITH GRAB

Base machine A41.41 – without outriggers



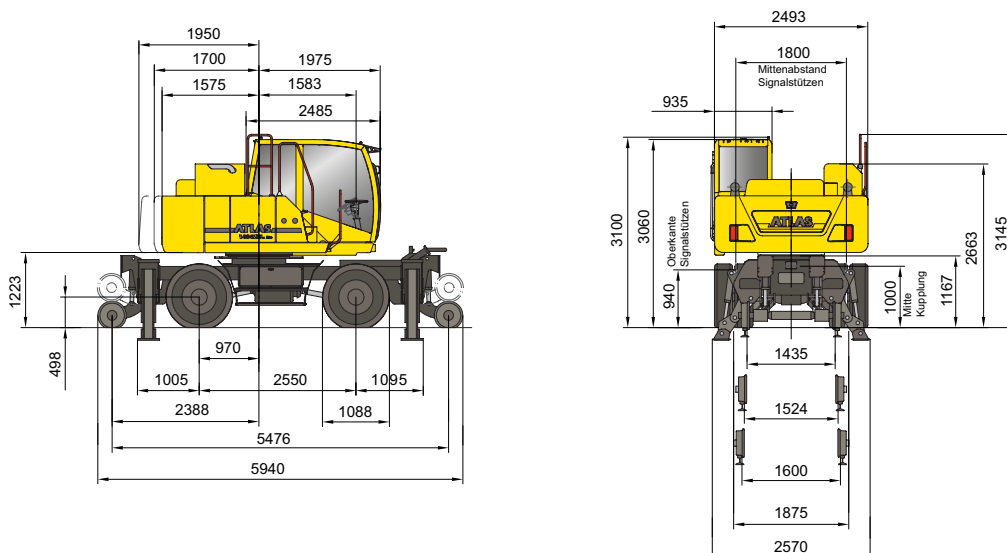
## MAIN DIMENSIONS

Base machine A41.4 Combined friction wheel track 1000 mm



## MAIN DIMENSIONS

Base machine A41.51 with outriggers, track 1435 mm



# TECHNICAL SPECIFICATION 1404 ZW-CR

## ENGINE

Power rating acc. to ISO 1585	95 kW (130 HP)
Manufacturer	Deutz
Type	TCD 4.1 (EU Stage V)
Displacement	4038 cm <sup>3</sup>
Rotational speed	1800 rpm
Design	Turbocharger/charge-air cooling

## HYDRAULIC SYSTEM

Computer controlled AWE4 system with a load limiting high performance piston pump and fuel efficient on-demand power control for sensitive, proportional and load independent ramp-up of all operational movements

- Primary and secondary protection of the hydraulic system against overload
- Suction valve for all operational functions as well as restrictors in the lift and articulating circuits
- Fine lowering and load-retaining valve in the lifting circuit.

Hydraulic system	1 x AKP
Main pump	HPR 135
Max. flow variable capacity pump	300 l/min
Max. operating pressure for operating movements	340 bar

## NOISE LEVEL

Noise level\* is significantly below EC limits

Ambience level (L <sub>w</sub> A)	98 dB (A)
Cab level (L <sub>p</sub> A)	73 dB (A)

\*Dynamic sound level measurement according to 2000/14 EC

## ELECTRICAL SYSTEM

Operating voltage	24 Volt
Cold-start heavy duty battery	2 x 100 Ah

Electrical system in compliance with StVZO (Regulations Authorizing the Use of Vehicles for Road Traffic in Germany) and European standard

## BRAKES

Service brake	pneumatic-hydraulically actuated drum brake
Parking brake	pneumatically-operated spring-loaded parking brake

Emergency brake for use on rail	
Max. un-braked trailer load	40 t
Max. trailer load with wagon brake	120 t

## FLUID CAPACITIES

Fuel tank	190 l
Hydraulic tank	200 l
Engine oil	10 l
AdBlue® tank	10 l

## CAB

Flexibly suspended • Heat absorbing extra wide windscreen for all-round vision • Glare-free interior • Ergonomic pilot control levers • Adjustable steering column • Lengthways adjustment of the seat independent of the control console • Front windscreen slidable under the cab roof • Second seat for mate

Type	Atlas 935 two-man comfort cab
Overall length	2130 mm
Width	935 mm

## SLEWING MECHANISM

Slewing motor	axial piston motor with priority valve
Slewing gear	planetary reduction
Slewing brake*	multi-disc brake

Drive via an internally toothed slewing ring	
Slewing speed	8.5 rpm
Slewing torque	37.5 kNm

\* simple swinging on slopes against the incline is assured, with locking foot pedal when slewing pressure of 120 bar is exceeded.

## POWER TRANSMISSION

40 t special excavator axles with planetary drives to all four wheel hubs

- All-wheel drive • Variable drive engine • Double acting travel brake valve
- Travel direction selector with steering column mounted lever or switch on pilot control lever • Steering axle with automatic oscillation lock
- Travel controls via foot pedal valve

## TRAVEL SPEED

Road and rail operation	
Creep speed	max. 1.0 km/hour
Off-road speed	max. 5.0 km/hour
Highway speed	max. 20 km/hour
Rail guidance, track gauge 1435 mm, other widths on request	

## TIRES

8 x	10.00 - 20
-----	------------

(inner tire - highway, outer tire - off highway tread pattern)

## WEIGHT

Operating weight	17.0 - 20.0 t
------------------	---------------

## OPERATING WEIGHTS, TAILSWING

Type	Configuration	Operating weight with boom adjusting mechanism	Tailswing mm
1404 ZW	A41.4	17100 kg	1575
1404 ZW	A41.4	17500 kg	1700 (4.9 t)
1404 ZW	A41.4	17900 kg	1700 (5.3 t)
1404 ZW, 4 outriggers	A41.5	19500 kg	1575
1404 ZW, 4 outriggers	A41.5	19900 kg	1700 (4.9 t)
1404 ZW, 4 outriggers	A41.5	19900 kg	1950 (4.9 t)

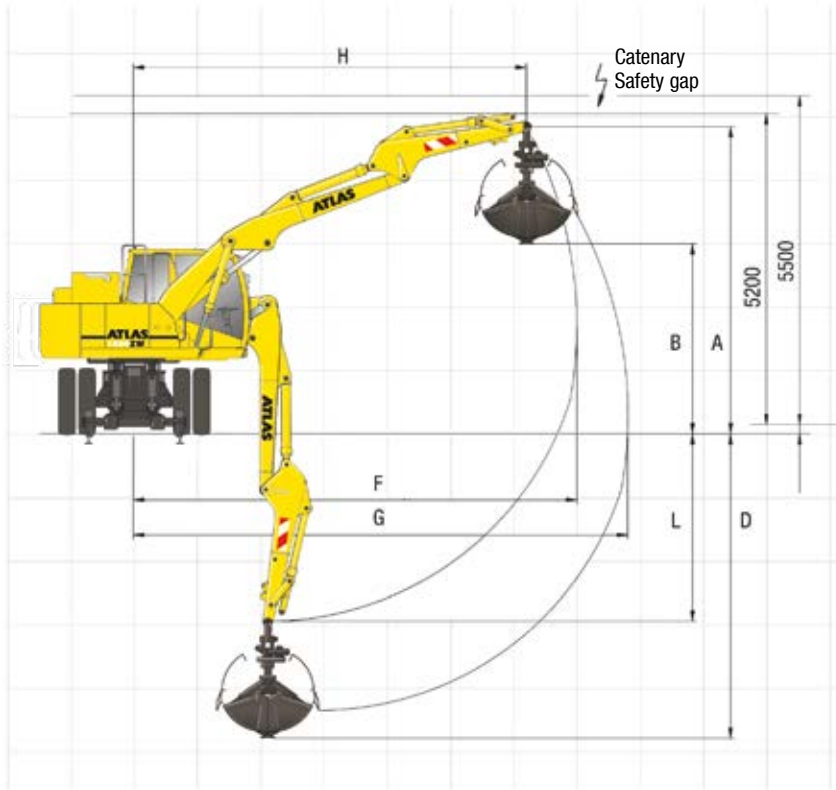
### Approvals

The equipment marked \* is an essential requirement of the German Federal Railways for operation on their network.

The safety testing is conducted by the health and safety executive (Berufsgenossenschaft), compliance with the appropriate regulations is verified by the German Federal Railways and the TÜV.

# TECHNICAL SPECIFICATION 1404 ZW-CR

## WORKING RANGE GRAB

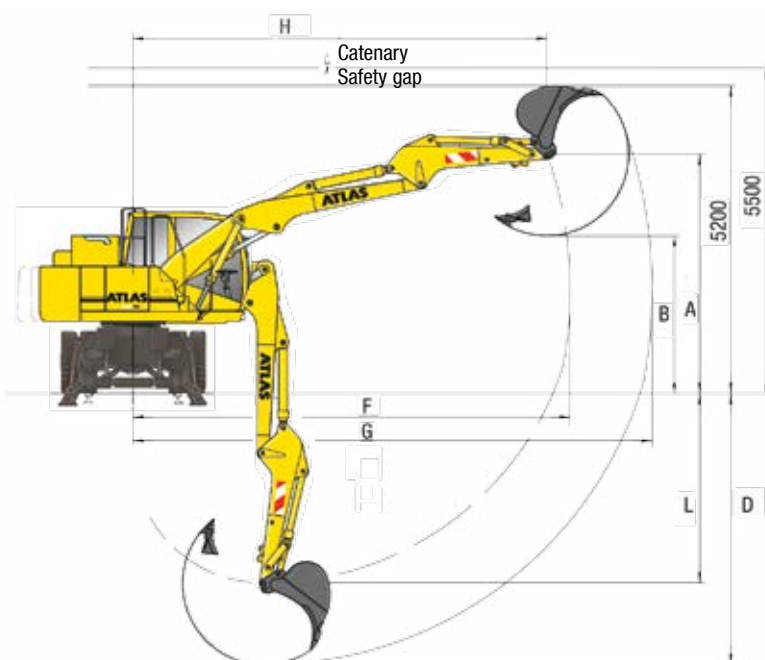


### Stick D41.22, working length 2200 mm

Equipment: A41.5, C53.41P, C53.46, D41.22, F31, E332, E344

			Grab
A	Height of stick	mm	4980
B	Discharge height	mm	3020
D	Max digging depth	mm	5170
F	Max. radius	mm	7400
G	Max. reach	mm	8250
H	Max. arm position	mm	6605
J	Max. reach height	mm	—
L	Bucket pivot point	mm	3205
	Grab	l	350
	Grab clamping force	kN	73.0
	Operating weight	t	19.3

## WORKING RANGE BUCKET



### Stick D41.22, working length 2200 mm

Equipment: A41.5, C53.41P, C53.46, D41.22, F53.1, E332, E344

			Bucket
A	Height of stick	mm	4045
B	Discharge height	mm	2660
D	Max digging depth	mm	4590
F	Max. radius	mm	7400
G	Max. reach	mm	8785
H	Max. arm position	mm	7010
J	Max. reach height	mm	5200
L	Bucket pivot point	mm	3205
	Bucket	l	700
	Stick digging force	kN	82
	Bucket digging force	kN	130
	Operating weight	t	19.0

# TECHNICAL SPECIFICATION 1404 ZW-CR

## BASE MACHINE C53.41P, C53.46, D41.22

### TAILSWING 1700 MM (4.9T) NO OUTRIGGERS

Hook height, m		3.0 m	4.0 m	5.0 m	6.0 m	7.0 m
6.0	F	a	-	5.774 H	-	-
		b	-	5.774 H	-	-
6.0	L	a	-	5.179 K	-	-
		b	-	2.810 K	-	-
5.0	F	a	5.100 H	5.803 H	5.639 H	-
		b	5.100 H	5.803 H	5.639 H	-
5.0	L	a	5.100 H	5.149 K	3.820 K	-
		b	3.795 K	2.788 K	2.040 K	-
4.0	F	a	6.321 H	6.348 H	5.889 H	4.240 H
		b	6.321 H	6.348 H	5.889 H	4.240 H
4.0	L	a	6.321 H	5.089 K	3.854 K	2.878 K
		b	3.708 K	2.730 K	2.074 K	1.462 K
3.0	F	a	8.734 H	7.157 H	6.107 H	5.246 H
		b	8.734 H	7.157 H	6.018 K	4.542 K
3.0	L	a	6.885 K	5.024 K	3.854 K	2.875 K
		b	3.558 K	2.683 K	2.069 K	1.459 K
2.0	F	a	9.691 H	9.299 H	7.596 H	6.278 H
		b	9.691 H	9.299 H	7.596 H	5.355 K
2.0	L	a	9.691 H	6.796 K	4.973 K	3.775 K
		b	5.051 K	3.488 K	2.647 K	2.004 K
1.0	F	a	12.569 H	10.041 H	7.851 H	6.400 H
		b	12.569 H	10.041 H	7.851 H	5.305 K
1.0	L	a	10.912 K	6.863 K	4.935 K	3.690 K
		b	5.112 K	3.514 K	2.609 K	1.921 K
0	F	a	14.129 H	10.142 H	7.846 H	6.432 H
		b	14.129 H	10.142 H	7.846 H	5.008 H
0	L	a	10.467 K	6.705 K	4.758 K	3.593 K
		b	4.853 K	3.373 K	2.454 K	1.836 K
-1.0	F	a	14.330 H	10.194 H	7.944 H	6.397 H
		b	14.330 H	10.194 H	7.638 K	5.611 K
-1.0	L	a	10.423 K	6.522 K	4.697 K	3.495 K
		b	4.696 K	3.210 K	2.387 K	1.753 K
-2.0	F	a	14.671 H	10.512 H	7.855 H	-
		b	14.671 H	10.512 H	7.495 K	-
-2.0	L	a	10.365 K	6.499 K	4.574 K	-
		b	4.678 K	3.188 K	2.281 K	-

### TAILSWING 1700 MM (5.3T) NO OUTRIGGERS

Hook height, m		3.0 m	4.0 m	5.0 m	6.0 m	7.0 m
6.0	F	a	-	-	5.774 H	-
		b	-	-	5.774 H	-
6.0	L	a	-	-	5.379 K	-
		b	-	-	2.949 K	-
5.0	F	a	5.100 H	5.803 H	5.639 H	-
		b	5.100 H	5.803 H	5.639 H	-
5.0	L	a	5.100 H	5.134 K	3.977 K	-
		b	3.976 K	2.927 K	2.152 K	-
4.0	F	a	6.321 H	6.348 H	5.889 H	4.240 H
		b	6.321 H	6.348 H	5.889 H	4.240 H
4.0	L	a	6.321 H	5.288 K	4.016 K	3.008 K
		b	3.890 K	2.869 K	2.186 K	1.556 K
3.0	F	a	8.734 H	7.157 H	6.107 H	5.246 H
		b	8.734 H	7.157 H	6.107 H	4.708 K
3.0	L	a	7.154 K	5.222 K	4.011 K	3.005 K
		b	3.738 K	2.822 K	2.181 K	1.554 K
2.0	F	a	9.691 H	9.299 H	7.596 H	6.278 H
		b	9.691 H	9.299 H	7.596 H	5.407 H
2.0	L	a	9.691 H	7.064 K	5.171 K	3.931 K
		b	5.307 K	3.667 K	2.785 K	2.116 K
1.0	F	a	12.569 H	10.041 H	7.851 H	6.400 H
		b	12.569 H	10.041 H	7.851 H	5.364 H
1.0	L	a	11.345 K	7.134 K	5.134 K	3.847 K
		b	5.375 K	3.695 K	2.747 K	2.034 K
0	F	a	14.129 H	10.142 H	7.846 H	6.432 H
		b	14.129 H	10.142 H	7.846 H	5.928 K
0	L	a	10.892 K	6.977 K	4.956 K	3.749 K
		b	5.111 K	3.554 K	2.592 K	1.948 K
-1.0	F	a	14.330 H	10.194 H	7.944 H	6.397 H
		b	14.330 H	10.194 H	7.905 K	5.816 K
-1.0	L	a	10.858 K	6.794 K	4.896 K	3.651 K
		b	4.961 K	3.392 K	2.526 K	1.865 K
-2.0	F	a	14.671 H	10.512 H	7.855 H	-
		b	14.671 H	10.512 H	7.763 K	-
-2.0	L	a	10.797 K	6.771 K	4.773 K	-
		b	4.942 K	3.370 K	2.420 K	-

### TAILSWING 1575 MM (5.3T) NO OUTRIGGERS

Hook height, m		3.0 m	4.0 m	5.0 m	6.0 m	7.0 m
6.0	F	a	-	-	5.774 H	-
		b	-	-	5.774 H	-
6.0	L	a	-	-	5.261 K	-
		b	-	-	2.846 K	-
5.0	F	a	5.100 H	5.803 H	5.639 H	-
		b	5.100 H	5.803 H	5.639 H	-
5.0	L	a	5.100 H	5.230 K	3.884 K	-
		b	3.841 K	2.823 K	2.068 K	-
4.0	F	a	6.321 H	6.348 H	5.889 H	4.240 H
		b	6.321 H	6.348 H	5.889 H	4.240 H
4.0	L	a	6.321 H	5.170 K	3.923 K	2.931 K
		b	3.754 K	2.765 K	2.102 K	1.485 K
3.0	F	a	8.734 H	7.157 H	6.107 H	5.246 H
		b	8.734 H	7.157 H	6.107 H	4.625 K
3.0	L	a	6.995 K	5.105 K	3.918 K	2.928 K
		b	3.604 K	2.718 K	2.097 K	1.483 K
2.0	F	a	9.691 H	9.299 H	7.596 H	6.278 H
		b	9.691 H	9.299 H	7.596 H	5.407 H
2.0	L	a	9.691 H	6.906 K	5.054 K	3.839 K
		b	5.116 K	3.533 K	2.682 K	2.032 K
1.0	F	a	12.569 H	10.041 H	7.851 H	6.400 H
		b	12.569 H	10.041 H	7.851 H	5.364 H
1.0	L	a	11.089 K	6.973 K	5.016 K	3.754 K
		b	5.178 K	3.560 K	2.644 K	1.950 K
0	F	a	14.129 H	10.142 H	7.846 H	6.432 H
		b	14.129 H	10.142 H	7.821 K	5.826 K
0	L	a	10.641 K	6.816 K	4.839 K	3.657 K
		b	4.918 K	3.419 K	2.489 K	1.865 K
-1.0	F	a	14.330 H	10.194 H	7.944 H	6.397 H
		b	14.330 H	10.194 H	7.771 K	5.713 K
-1.0	L	a	10.600 K	6.633 K	4.778 K	3.558 K
		b	4.763 K	3.256 K	2.422 K	1.782 K
-2.0	F	a	14.671 H	10.512 H	7.855 H	-
		b	14.671 H	10.512 H	7.629 K	-
-2.0	L	a	10.541 K	6.610 K	4.655 K	-
		b	4.745 K	3.234 K	2.317 K	-

### TAILSWING 1575 MM (4.5T) NO OUTRIGGERS

Hook height, m		3.0 m	4.0 m	5.0 m	6.0 m	7.0 m
6.0	F	a	-	-	5.774 H	-
		b	-	-	5.774 H	-
6.0	L	a	-	-	4.856 K	-
		b	-	-	2.562 K	-
5.0	F	a	5.100 H	5.803 H	5.639 H	-
		b	5.100 H	5.803 H	5.639 H	-
5.0	L	a	5.100 H	4.826 K	3.565 K	-
		b	3.472 K	2.540 K	1.839 K	-
4.0	F	a	6.321 H	6.348 H	5.889 H	4.240 H
		b	6.321 H	6.348 H	5.889 H	4.240 H
4.0	L	a	6.321 H	4.765 K	3.604 K	2.668 K
		b	3.384 K	2.482 K	1.874 K	1.293 K
3.0	F	a	8.734 H	7.157 H	6.107 H	5.077 K
		b	8.734 H	7.157 H	5.705 K	4.289 K
3.0	L	a	6.450 K	4.702 K	3.599 K	2.665 K
		b	3.238 K	2.436 K	1.868 K	1.292 K
2.0	F	a	9.691 H	9.299 H	7.596 H	6.278 H
		b	9.691 H	9.299 H	7.519 K	5.612 K
2.0	L	a	9.691 H	6.362 K	4.652 K	3.521 K
		b	4.593 K	3.168 K	2.401 K	1.729 K
1.0	F	a	12.569 H	10.041 H	7.851 H	6.400 H
		b	12.569 H	10.041 H	7.495 K	5.523 K
1.0	L	a	10.213 K	6.423 K	4.612 K	3.435 K
		b	4.647 K	3.191 K	2.363 K	1.721 K
0	F	a	14.129 H	10.142 H	7.846 H	6.432 H
		b	14.129 H	10.142 H	7.279 K	5.411 K
0	L	a	9.777 K	6.264 K	4.437 K	3.338 K
		b	4.391 K	3.049 K	2.208 K	1.636 K
-1.0	F	a	14.330 H	10.194 H	7.944 H	6.371 K
		b	14.330 H	10.194 H	7.229 K	5.298 K
-1.0	L	a	9.718 K	6.080 K	4.373 K	3.241 K
		b	4.223 K	2.885 K	2.139 K	1.554 K
-2.0	F	a	14.671 H	10.512 H	7.855 H	-
		b	14.671 H	10.504 K	7.087 K	-
-2.0	L	a	9.664 K	6.056 K	4.251 K	-
		b	4.207 K	2.862 K	2.034 K	-

a = travel on road permitted F = Front H - Value limited due to hydraulics  
b = travel on rail permitted, L = Lateral K - Value limited due to excavator stability

All values in tonnes (t) were determined acc. to ISO 10567 and include a stability factor of 33% or 87% of the hydraulic lifting capacity. These values are applicable at the top of the arm with optimum positioning of the corresponding boom system.

### ADDITIONAL AND SPECIAL EQUIPMENT

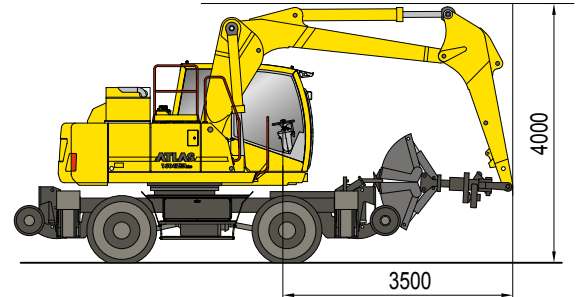
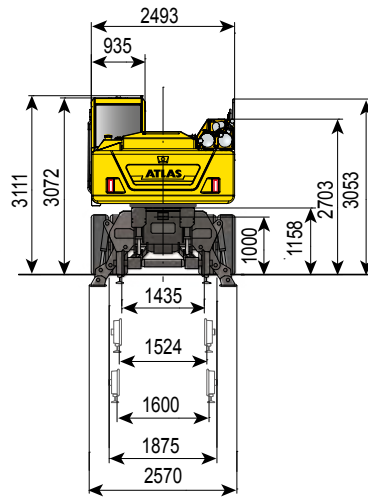
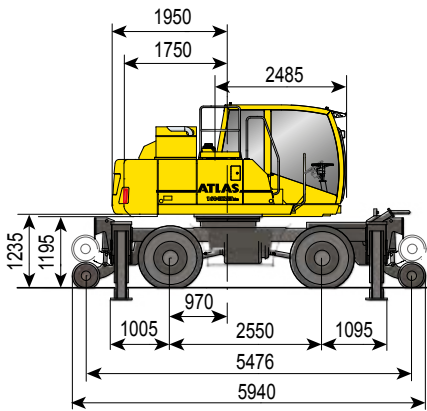
- Two-man cab\*
- Auxiliary heating
- Narrow axles for underground and suburban railways
- Combined check point for ease of filter maintenance
- Hose-rupture safety device for lifting operation, overload warning device\*
- Trailer hitch on chassis\*
- Emergency manual hydraulic pump\*
- Special tow bar\*
- German Federal Railways approved lights\*
- Lift limitation electronically adjustable from the cab\*
- Lift limitation electronically adjustable from the cab\*

- Swing limitation adjustable from the cab\*
- Wagon brake unit with footplate brake valve, permitted trailer load is 120 t
- Factory Federal German Railways approval with appropriate certification and all necessary accessories: fire extinguisher, first aid kit, earth cable, red/white flag, torch with red dimmable light, loud hailer, digital speed measurement instrument, oil spill tarpaulin and oil binder\*
- Rotating beacons
- Working floodlight(s)
- Radio, front AUX in, USB, Bluetooth
- Refueling pump
- Rail bogie with track gauges of up to approx. 1600 mm
- TÜV-approval

Items marked with \* are a requirement for Federal German Railway approval

# TECHNICAL SPECIFICATION 1604 ZW

## MAIN DIMENSIONS



## WORKING EQUIPMENT:

Base machine		Weight/kg	Standard equipment
A67.5	Rail-Road hydraulic excavator 1604 ZW, with 4 outriggers, tail swing 1750 mm	18100	<ul style="list-style-type: none"> <li>Narrow axles for underground and suburban railways</li> </ul>
<b>Additional and special equipment</b>			<ul style="list-style-type: none"> <li>Central lubrication (Option)</li> </ul>
B66.41	Hose-rupture safety device for lifting cylinder, overload warning device	10	<ul style="list-style-type: none"> <li>Maintenance point for filtration system</li> </ul>
B67.20	Counterweight, tail swing 1950 mm	0	<ul style="list-style-type: none"> <li>Proportional Grab-rotation</li> </ul>
B66.39	Additional hydraulic unit for variable boom cylinder	20	<ul style="list-style-type: none"> <li>Hydraulic system for grab and grab rotation function</li> </ul>
B41.23	Two man fully glazed cab	300	<ul style="list-style-type: none"> <li>Tank indicator</li> </ul>
<b>Base section of arm and boom</b>			<ul style="list-style-type: none"> <li>Battery main switch in negative lead</li> <li>"Travel" function via foot control</li> </ul>
C67.41P	Base arm with two lift cylinders and an internally mounted operating cylinder	1350	<ul style="list-style-type: none"> <li>Accumulator for emergency lowering of boom system</li> </ul>
C66.46	Boom with articulating cylinder only for base arm C67.41P, working length 3300 mm	930	<ul style="list-style-type: none"> <li>Traction increase</li> </ul>
C66.462	Boom with articulating cylinder only for base arm C67.41P, working length 3700 mm	1000	<ul style="list-style-type: none"> <li>Sliding window in cab door</li> </ul>
<b>Sticks</b>			<ul style="list-style-type: none"> <li>Power shift transmission</li> <li>Windshield washer system</li> <li>Tilt and height adjustable steering column</li> </ul>
D67.22	Rail-road excavator stick, working length 2240 mm	600	<ul style="list-style-type: none"> <li>Radio pre-installation</li> <li>Storage box in the cab</li> </ul>
<b>Bucket tipping cylinder</b>			<ul style="list-style-type: none"> <li>Comfort seat with armrests and lumbar support</li> </ul>
F66.1	Bucket tipping cylinder with reversing linkage	180	<ul style="list-style-type: none"> <li>Toolbox on chassis</li> <li>Sealed pivot points in the base section of the boom</li> <li>Boom and stick with 50 hour maintenance intervals</li> <li>Securing lug for securing the grab during road travel</li> <li>Air-conditioning</li> <li>Air dryer for compressed air system</li> <li>Right side camera</li> </ul>

# TECHNICAL SPECIFICATION 1604 ZW

## ENGINE

Power rating acc. to ISO 1585	115 kW (157 HP)
Manufacturer	Deutz
Type	TCD 4.1 (EU Stage V)
Displacement	4038 cm <sup>3</sup>
Rotational speed	1800 rpm
Design	Turbocharger/charge-air cooling

## HYDRAULIC SYSTEM

Computer controlled AWE4 system with a load limiting high performance piston-pump and fuel efficient on-demand power control for sensitive, proportional and load independent ramp-up of all operational movements

- Primary and secondary protection of the hydraulic system against overload
- Suction valve for all operational functions as well as restrictors in the lift and articulating circuits
- Pipe break protection valves for lifting and articulated cylinders

Hydraulic system	1 x AKP
Main pump	HPR 210
Max. flow variable capacity pump	380 l/min
Max. operating pressure for operating movements	340 bar

## NOISE LEVEL

Noise level\* is significantly below EC limits

Ambience level (L <sub>WA</sub> )	97 dB (A)
Cab level (L <sub>WA</sub> )	71 dB (A)

\*Dynamic sound level measurement according to 2000/14 EC

## ELECTRICAL SYSTEM

Operating voltage	24 Volt
Cold-start heavy duty battery	2 x 100 Ah

Electrical system in compliance with StVZO (Regulations Authorizing the Use of Vehicles for Road Traffic in Germany) and European standard

## BRAKES

Service brake	pneumatic-hydraulically actuated drum brake
Parking brake	pneumatically-operated spring-loaded parking brake

Emergency brake for use on rail

Max. un-braked trailer load	40 t
Max. trailer load with wagon brake	120 t

## FLUID CAPACITIES

Fuel tank	260 l
Hydraulic tank	300 l
Engine oil	10 l
AdBlue® tank	20 l

## CAB

- Flexibly suspended • Heat absorbing extra wide windscreen for all-round vision
- Glare-free interior • Ergonomic pilot control levers • Adjustable steering column
  - Lengthways adjustment of the seat independent of the control console
  - Front windscreen stowable under the cab roof • Second seat for mate

Type	935 two-man comfort cab
Overall length	2130 mm
Width	935 mm

## SLEWING MECHANISM

Slewing motor	axial piston motor with priority valve
Slewing gear	planetary reduction
Slewing brake	multi-disc brake

Drive via an internally toothed slewing ring

Slewing speed	9 rpm
Slewing torque	59 kNm

## POWER TRANSMISSION

40 t special excavator axles with planetary drives to all four wheel hubs

- All-wheel drive • Variable drive engine • Double acting travel brake valve
- Travel direction selector with steering column mounted lever or switch on pilot control lever
- Steering axle with automatic oscillation lock • Travel controls via foot pedal valve
- Power shift transmission • Traction increase

## TRAVEL SPEED

Road and rail operation

Crawling speed	max. 1.3 km/hour
Off-road speed	max. 5.6 km/hour
Highway speed	max. 20 km/hour
Rail guidance, track gauge 1435 mm, other widths on request	

## TIRES

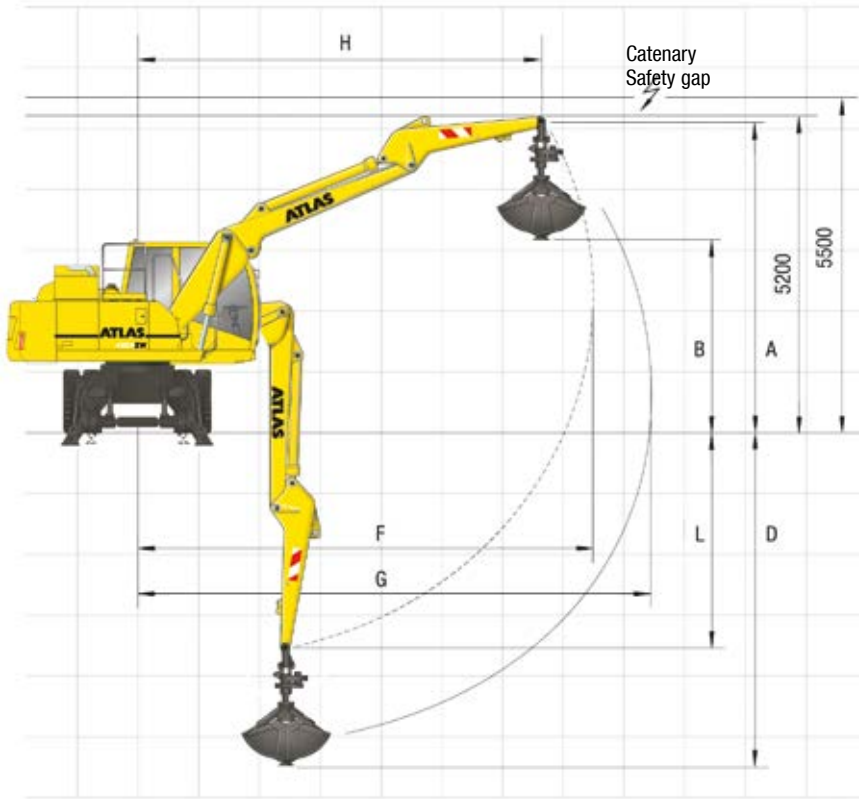
8 x	10.00 - 20
(inner tyre - highway, outer tyre - off highway tread pattern)	

## WEIGHT

Operating weight	21.0—23.0 t
------------------	-------------

# TECHNICAL SPECIFICATION 1604 ZW

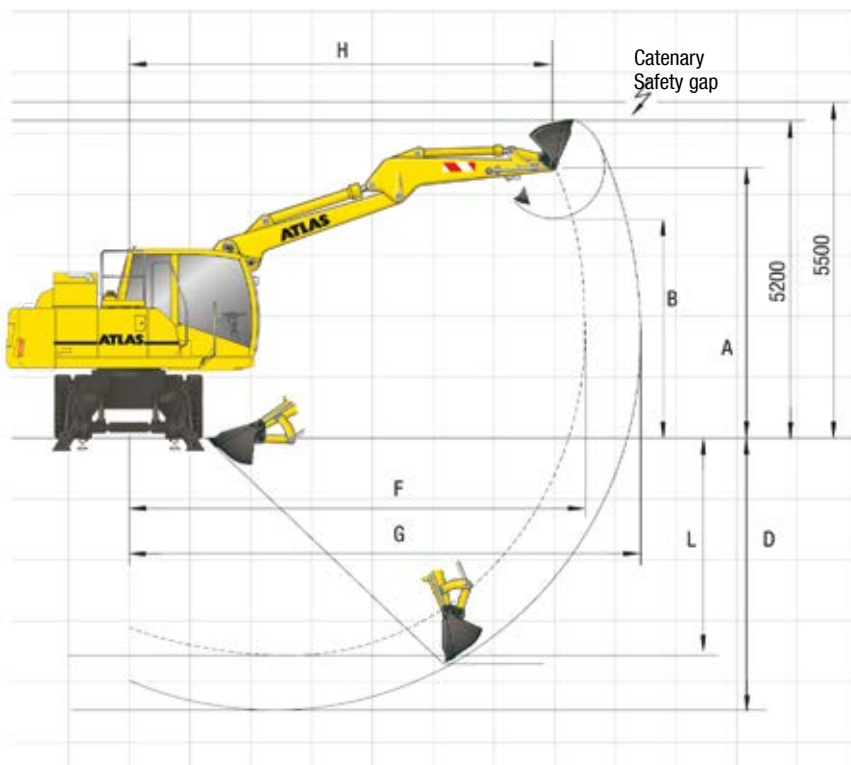
## WORKING RANGE GRAB



### Stick D67.22 - working length 2240 mm

Equipment: A67.5, C67.41P, C66.46, D67.22, T31, E332, E346		Grab	
A	Height of stick	mm	5100
B	Discharge height	mm	3150
D	Max. Digging depth	mm	5500
F	Max. Reach	mm	7450
G	Max. Reach	mm	8300
H	Max. arm position	mm	6600
J	Max. reach height	mm	–
L	Bucket pivot point	mm	3550
	Grab	l	450
	Grab clamping force	kN	72.8
	Operating weight	t	21.3

## WORKING RANGE BUCKET



### Stick D67.22 - working length 2240 mm

Equipment: A67.5, C67.41P, C66.46, D67.22, G649		Bucket	
A	Height of stick	mm	4400
B	Discharge height	mm	3650
D	Max. Digging depth	mm	4450
F	Max. Reach	mm	7450
G	Max. Reach	mm	8350
H	Max. arm position	mm	6950
J	Max. reach height	mm	–
L	Bucket pivot point	mm	3550
	Buckets	l	800
	Stick digging force	kN	112
	Bucket digging force	kN	141
	Operating weight	t	21.0



# TECHNICAL SPECIFICATION 1604 ZW

## BASE MACHINE A67.5, C67.41P, C66.46

### STICK D67.22 - WORKING LENGTH 2240 MM TAIL SWING 1750 MM

Hook height m	3.0 m		4.0 m		4.5 m		5.0 m		6.0 m		7.0 m	
	F	L	F	L	F	L	F	L	F	L	F	L
5	a	-	-	-	6.9	5.7	6.5	4.9	6.0	3.7	-	-
	b	-	-	-	6.9	3.6	6.5	3.1	6.0	2.3	-	-
4	a	-	-	7.7	6.7	7.2	5.7	6.7	4.9	6.0	3.7	-
	b	-	-	7.7	4.1	7.2	3.5	6.7	3.1	6.0	2.3	-
3	a	11.0	10.1	9.4	6.5	8.3	5.5	7.5	4.8	6.4	3.7	5.7
	b	11.0	5.8	9.4	4.0	8.3	3.4	7.5	3.0	6.4	2.3	5.7
1	a	12.7	9.9	10.6	6.4	9.2	5.5	8.2	4.8	6.8	3.6	5.8
	b	12.7	5.7	10.6	3.9	9.2	3.4	8.2	3.0	6.8	2.2	5.8
0	a	14.6	9.7	10.7	6.3	9.4	5.3	8.4	4.6	6.9	3.4	5.7
	b	14.6	5.5	10.7	3.8	9.4	3.2	8.4	2.8	6.9	2.1	5.7
-1	a	15.1	9.3	10.9	6.1	9.5	5.1	8.6	4.4	6.7	3.3	-
	b	15.1	5.2	10.9	3.5	9.5	3.0	8.6	2.6	6.7	1.9	-
-2	a	15.0	9.4	10.1	5.9	8.3	5.0	-	-	-	-	-
	b	15.0	5.2	10.1	3.4	8.3	2.9	-	-	-	-	-

a = travel on road permitted, b = travel on rail permitted, F = front, L= lateral

All values in tonnes (t) were determined acc. to ISO 10567 and include a stability factor of 33% or 87% of the hydraulic lifting capacity. These values are applicable at the top of the arm with optimum positioning of the corresponding boom system.

### STICK D67.22 - WORKING LENGTH 2240 MM TAIL SWING 1950 MM

Hook height m	3.0 m		4.0 m		4.5 m		5.0 m		6.0 m		7.0 m	
	F	L	F	L	F	L	F	L	F	L	F	L
5	a	-	-	-	6.9	6.0	6.5	5.1	6.0	3.9	-	-
	b	-	-	-	6.9	3.8	6.5	3.3	6.0	2.5	-	-
4	a	-	-	7.7	7.1	7.2	6.0	6.7	5.1	6.0	3.9	-
	b	-	-	7.7	4.4	7.2	3.8	6.7	3.3	6.0	2.5	-
3	a	11.0	10.5	9.4	6.9	8.3	5.8	7.5	5.0	6.4	3.9	5.7
	b	11.0	6.2	9.4	4.2	8.3	3.6	7.5	3.2	6.4	2.5	5.7
1	a	12.7	10.4	10.6	6.8	9.2	5.8	8.2	5.0	6.8	3.8	5.8
	b	12.7	6.1	10.6	4.2	9.2	3.6	8.2	3.2	6.8	2.4	5.8
0	a	14.6	10.2	10.7	6.6	9.4	5.6	8.4	4.8	6.9	3.6	5.7
	b	14.6	5.9	10.7	4.0	9.4	3.5	8.4	3.0	6.9	2.2	5.7
-1	a	15.1	9.9	10.9	6.4	9.5	5.4	8.6	4.6	6.7	3.5	-
	b	15.1	5.6	10.9	3.8	9.5	3.3	8.6	2.8	6.7	2.1	-
-2	a	15.0	9.9	10.1	6.3	8.3	5.2	-	-	-	-	-
	b	15.0	5.6	10.1	3.7	8.3	3.1	-	-	-	-	-

## RAIL GUIDANCE

Track gauge 1435 mm, other widths on request.

**CARSY** (Computer assisted rail contact pressure system)

Automatic system for regulating and monitoring the force of the rail guide wheels. The required pressures are automatically set, continuously monitored and adjusted if necessary. Depending on the pre-selected operating condition, each separate guidance bogie wheel is set to a different pressure in accordance with a prescribed schedule, locked or hydraulically trailed.

The front and rear bogie wheels can be independently switched to permit simple de-railing and positive crossing of rail points.

Automatic self-diagnosis of the electronic system. Emergency function: de-railing is assured even in the event of a fault or complete breakdown.

## OPERATING WEIGHTS, TAIL SWING

Type	Configuration	Operating weight with boom adjusting mechanism	Tail swing mm	Can be operated on the network of the German Federal Railways.
1604 ZW, with 4 outriggers	A67.5	approx. 22.0 t	1750	Track spacing $\geq 3700$ mm
1604 ZW, with 4 outriggers	A67.5	approx. 22.2 t	1950	Track spacing $\geq 4,000$ mm

Approvals

The equipment marked \* is an essential requirement of the German Federal Railways for operation on their network.

The safety testing is conducted by the health and safety executive (Berufsgenossenschaft), compliance with the appropriate regulations is verified by the German Federal Railways and the TÜV.

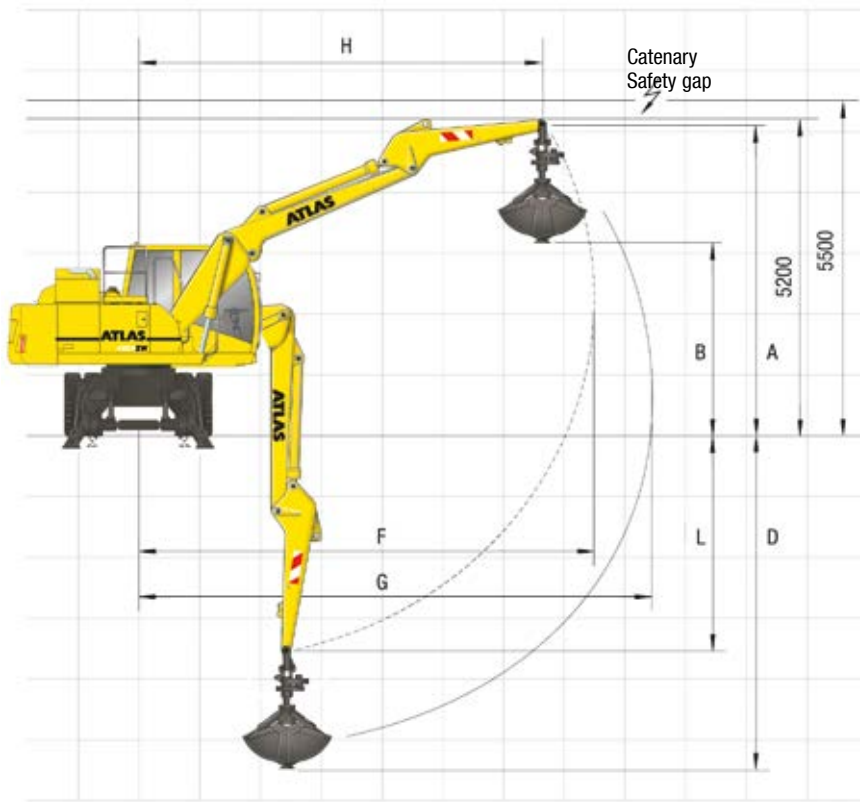
## ADDITIONAL AND SPECIAL EQUIPMENT

- Short tail swing version (1750 or 1950 mm tail swing)\*
- Two-man cab\*
- Auxiliary heating
- Hose-rupture safety device for lifting operation, overload warning device\*
- Trailer hitch on chassis\*
- Emergency manual hydraulic pump\*
- Special tow bar\*
- German Federal Railways approved lights\*
- Load moment limitation \*
- Lift limitation electronically adjustable from the cab\*
- Swing limitation adjustable from the cab\*
- Wagon brake unit with footplate brake valve, permitted trailer load is 120 t
- Factory Federal German Railways approval with appropriate certification and all necessary accessories: fire extinguisher, first aid kit, earth cable, red/white flag, torch with red dimmable light, loud hailer, digital speed measurement instrument, oil spill tarpaulin and oil binder\*
- Rotating beacons
- Working floodlight(s)
- Radio
- Refueling pump
- Rail bogie with track gauges of up to approx. 1700 mm
- TÜV-approval

Items marked with \* are a requirement for Federal German Railway approval

# TECHNICAL SPECIFICATION 1604 ZW

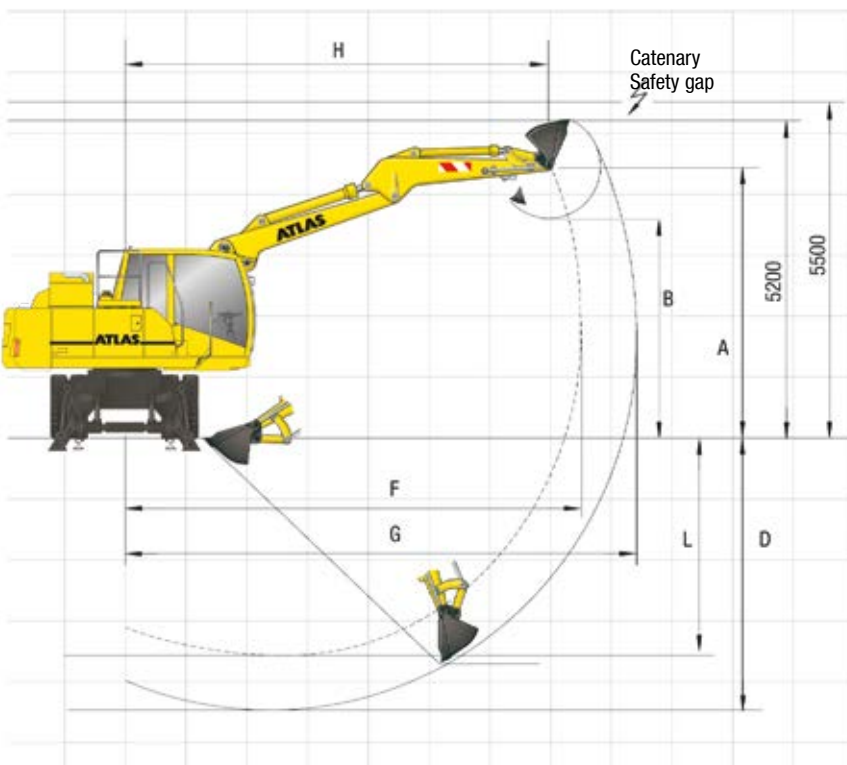
## WORKING RANGE GRAB



### Stick D67.22 - working length 2240 mm

Equipment: A67.5, C67.41P, C66.462, D67.22, T31, E332, E346		Grab	
A	Height of stick	mm	5100
B	Discharge height	mm	3150
D	Max. Digging depth	mm	5900
F	Max. Reach	mm	7850
G	Max. Reach	mm	8700
H	Max. arm position	mm	6900
J	Max. reach height	mm	–
L	Bucket pivot point	mm	3950
	Grab	l	450
	Grab clamping force	kN	72,8
	Operating weight	t	21,3

## WORKING RANGE BUCKET



### Stick D67.22 - working length 2240 mm

Equipment: A67.5, C67.41P, C66.462, D67.22, G649		Bucket	
A	Height of stick	mm	4400
B	Discharge height	mm	3650
D	Max. Digging depth	mm	4850
F	Max. Reach	mm	7850
G	Max. Reach	mm	8750
H	Max. arm position	mm	7250
J	Max. reach height	mm	–
L	Bucket pivot point	mm	3950
	Buckets	l	800
	Stick digging force	kN	112
	Bucket digging force	kN	141
	Operating weight	t	21,0

# TECHNICAL SPECIFICATION 1604 ZW

## BASE MACHINE A67.5, C67.41P, C66.462

### STICK D67.22 - WORKING LENGTH 2240 MM TAIL SWING 1750 MM

Hook height m		3.0 m		4.0 m		4.5 m		5.0 m		6.0 m		7.0 m	
		F	L	F	L	F	L	F	L	F	L	F	L
6	a	-	-	-	-	-	-	6.0	5.3	5.6	4.0	-	-
	b	-	-	-	-	-	-	6.0	3.3	5.6	2.5	-	-
5	a	-	-	-	-	6.7	6.1	6.3	5.2	5.7	4.0	5.3	3.0
	b	-	-	-	-	6.7	3.8	6.3	3.3	5.7	2.5	5.3	1.8
4	a	-	-	8.2	7.1	7.4	6.0	6.8	5.2	5.9	4.0	5.3	3.0
	b	-	-	8.2	4.3	7.4	3.7	6.8	3.2	5.9	2.5	5.3	1.8
3	a	-	-	9.3	6.9	8.2	5.9	7.3	5.1	6.2	4.0	5.5	3.0
	b	-	-	9.3	4.2	8.2	3.6	7.3	3.1	6.2	2.5	5.5	1.8
2	a	10.8	10.4	10.0	6.8	8.8	5.8	7.8	5.0	6.5	4.0	5.6	3.0
	b	10.8	6	10.0	4.1	8.8	3.5	7.8	3.1	6.5	2.5	5.6	1.8
1	a	12	10.4	10.3	6.8	9.1	5.8	8.1	5.1	6.6	3.9	5.6	2.9
	b	12	6	10.3	4.1	9.1	3.5	8.1	3.1	6.6	2.4	5.6	1.7
0	a	13.7	10.3	10.4	6.7	9.1	5.7	8.1	4.9	6.6	3.7	5.7	2.8
	b	13.7	5.8	10.4	4.0	9.1	3.5	8.1	3.0	6.6	2.3	5.7	1.7

a = travel on road permitted, b = travel on rail permitted, F = front, L= lateral

All values in tonnes (t) were determined acc. to ISO 10567 and include a stability factor of 33% or 87% of the hydraulic lifting capacity. These values are applicable at the top of the arm with optimum positioning of the corresponding boom system.

### STICK D67.22 - WORKING LENGTH 2240 MM TAIL SWING 1950 MM

Hook height m		3.0 m		4.0 m		4.5 m		5.0 m		6.0 m		7.0 m			
		F	L	F	L	F	L	F	L	F	L	F	L		
6	a	-	-	-	-	-	-	-	-	6.0	5.4	5.6	4.0	-	-
	b	-	-	-	-	-	-	-	-	6.0	3.4	5.6	2.6	-	-
5	a	-	-	-	-	6.7	6.2	6.3	5.3	5.7	4.1	5.3	3.1		
	b	-	-	-	-	6.7	3.9	6.3	3.4	5.7	2.6	5.3	1.9		
4	a	-	-	8.2	7.2	7.4	6.1	6.8	5.3	5.9	4.1	5.3	3.1		
	b	-	-	8.2	4.4	7.4	3.8	6.8	3.3	5.9	2.6	5.3	1.9		
3	a	-	-	9.3	7.1	8.2	6.0	7.3	5.2	6.2	4.1	5.5	3.1		
	b	-	-	9.3	4.3	8.2	3.7	7.3	3.2	6.2	2.6	5.5	1.9		
2	a	10.8	10.6	10.0	7.0	8.8	5.9	7.8	5.2	6.5	4.1	5.6	3.1		
	b	10.8	6.2	10.0	4.3	8.8	3.7	7.8	3.2	6.5	2.6	5.6	1.9		
1	a	12.0	10.6	10.3	7.0	9.1	5.9	8.1	5.2	6.6	4.0	5.6	3.0		
	b	12.0	6.2	10.3	4.2	9.1	3.7	8.1	3.2	6.6	2.5	5.6	1.8		
0	a	13.7	10.6	10.4	6.9	9.1	5.8	8.1	5.0	6.6	3.8	5.7	2.9		
	b	13.7	6.0	10.4	4.2	9.1	3.6	8.1	3.1	6.6	2.4	5.7	1.7		

## RAIL GUIDANCE

Track gauge 1435 mm, other widths on request.

**CARSY** (Computer assisted rail contact pressure system)

Automatic system for regulating and monitoring the force of the rail guide wheels. The required pressures are automatically set, continuously monitored and adjusted if necessary. Depending on the pre-selected operating condition, each separate guidance bogie wheel is set to a different pressure in accordance with a prescribed schedule, locked or hydraulically trailed.

The front and rear bogie wheels can be independently switched to permit simple de-railing and positive crossing of rail points.

Automatic self-diagnosis of the electronic system. Emergency function: de-railing is assured even in the event of a fault or complete breakdown.

## OPERATING WEIGHTS, TAIL SWING

Type	Configuration	Operating weight with boom adjusting mechanism	Tail swing mm	Can be operated on the network of the German Federal Railways.
1604 ZW, with 4 outriggers	A67.5	approx. 22.0 t	1750	Track spacing $\geq 3700$ mm
1604 ZW, with 4 outriggers	A67.5	approx. 22.2 t	1950	Track spacing $\geq 4,000$ mm

### Approvals

The equipment marked \* is an essential requirement of the German Federal Railways for operation on their network.

The safety testing is conducted by the health and safety executive (Berufsgenossenschaft), compliance with the appropriate regulations is verified by the German Federal Railways and the TÜV.

## ADDITIONAL AND SPECIAL EQUIPMENT

- Short tail swing version (1750 or 1950 mm tail swing)\*
- Two-man cab\*
- Auxiliary heating
- Hose-rupture safety device for lifting operation, overload warning device\*
- Trailer hitch on chassis\*
- Emergency manual hydraulic pump\*
- Special tow bar\*
- German Federal Railways approved lights\*
- Load moment limitation \*
- Lift limitation electronically adjustable from the cab\*
- Swing limitation adjustable from the cab\*
- Wagon brake unit with footplate brake valve, permitted trailer load is 120 t  
Factory Federal German Railways approval with appropriate certification and all necessary accessories: fire extinguisher, first aid kit, earth cable, red/white flag, torch with red dimmable light, loud hailer, digital speed measurement instrument, oil spill tarpaulin and oil binder\*
- Rotating beacons
- Working floodlight(s)
- Radio
- Refueling pump
- Rail bogie with track gauges of up to approx. 1700 mm
- TÜV-approval

Items marked with \* are a requirement for Federal German Railway approval

#### **GANDERKESEE FACTORY**

Atlas GmbH  
Atlasstraße 6  
D-27777 Ganderkesee,  
Germany

Tel.: +49 (0) 4222 954 0  
Fax: +49 (0) 4222 954 220  
E-mail: [info@atlasgmbh.com](mailto:info@atlasgmbh.com)  
[www.atlasgmbh.com](http://www.atlasgmbh.com)



#### **VECHTA FACTORY**

Atlas GmbH  
Theodor-Heuss-Str. 3  
D-49377 Vechta  
Germany

T: +49 (0) 4441 954 0  
F: +49 (0) 4441 954 299  
E-mail: [info@atlasgmbh.com](mailto:info@atlasgmbh.com)  
[www.atlasgmbh.com](http://www.atlasgmbh.com)



#### **DELMENHORST FACTORY**

Atlas GmbH  
Stedinger Straße 324  
D-27751 Delmenhorst  
Germany

T: +49 (0) 4221 49 10  
F: +49 (0) 4221 49 14 43  
E-mail: [info@atlasgmbh.com](mailto:info@atlasgmbh.com)  
[www.atlasgmbh.com](http://www.atlasgmbh.com)

#### **ATLAS CRANES UK LTD NATIONAL SALES & SERVICE FACILITY**

Wharfedale Road,  
Euroway Trading Est.  
Bradford, England BD4 6SL  
United Kingdom

T: +44 8444 99 66 88  
F: +44 1274 65 37 85  
E-mail: [atlasuk@atlasgmbh.com](mailto:atlasuk@atlasgmbh.com)  
[www.atlas-cranes.co.uk](http://www.atlas-cranes.co.uk)  
[www.atlasgmbh.com](http://www.atlasgmbh.com)



**SINCE 1919**  
**ATLAS**



All texts and photographs are © ATLAS GmbH  
Ref. no.: 6213685