

E-Crane[®] Capacity Charts

700 Series

Model 4248

Model 4264

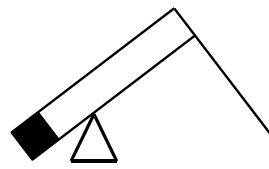
Model 4290

Model 6290

Model 4317

Model 6317





E-Crane[®] Capacity Charts
700 Series
Model 4317

CONTENTS

| | |
|-----------------------------------|-----------|
| DUTY CYCLE OPERATION | 3 |
| Load Chart (USton/ft) | 3 |
| Load Chart (Mton/m) | 5 |
| LIFT CRANE OPERATION | 7 |
| Load Chart (USton/ft) | 7 |
| Load Chart (Mton/m) | 9 |
| SPECIFICATIONS | 11 |

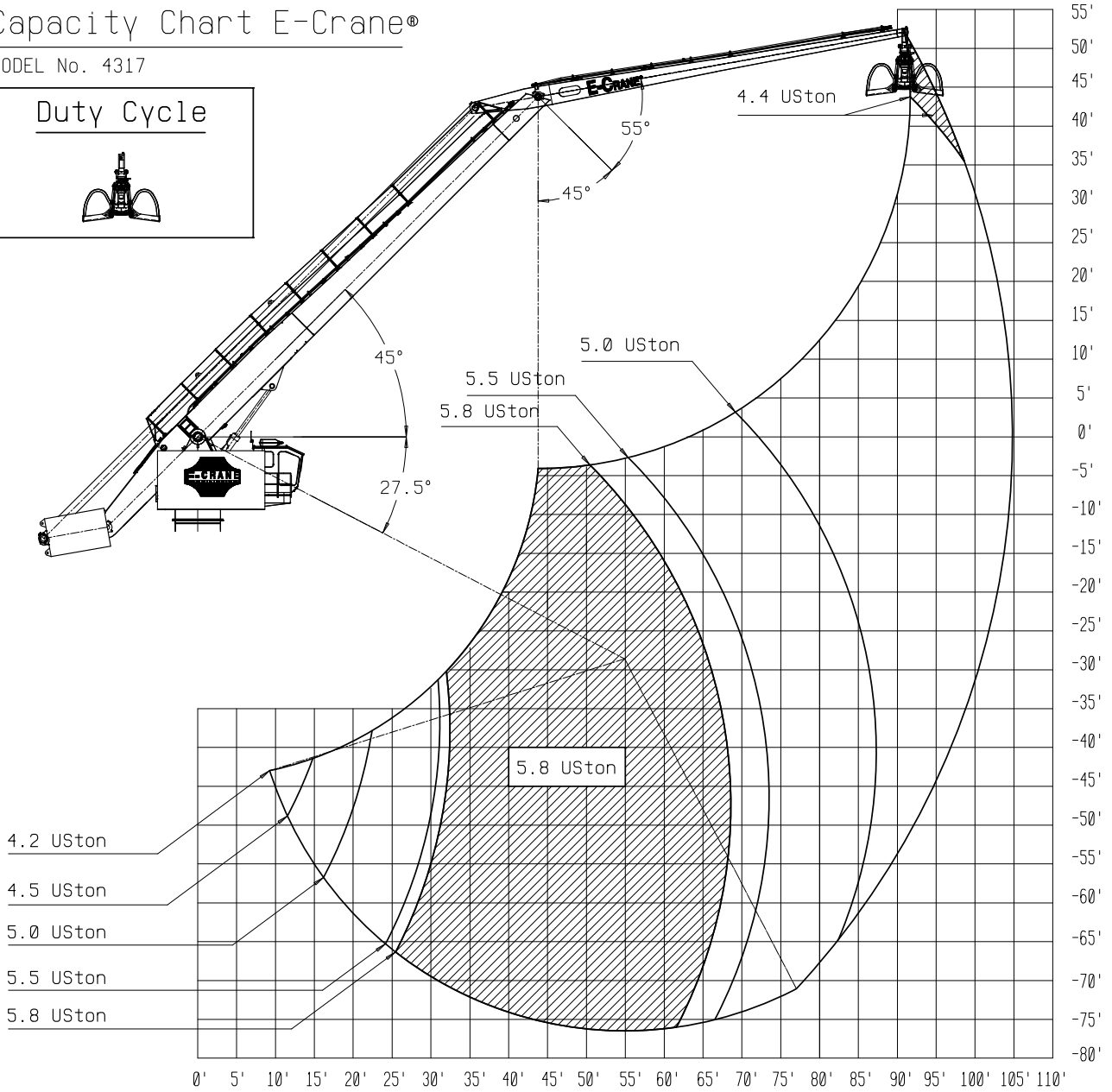
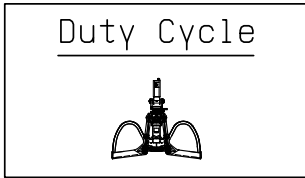


DUTY CYCLE OPERATION

Load Chart (USton/ft)

Capacity Chart E-Crane®

MODEL No. 4317



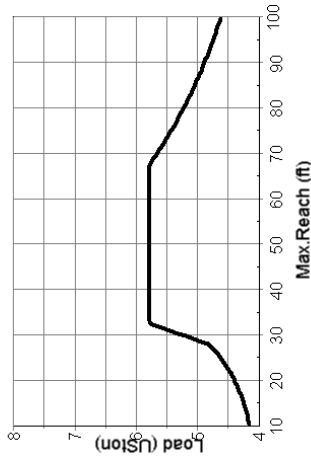
Dwg.: ALI2012-009

CAPACITY CHART (USton) / Duty Cycle Operation

E-Crane 4317

| HEIGHT Relative to BOOM- PIN (ft) | REACH (ft) | | | | | | | | | | | | | | | | | | | | | |
|--|------------|----|----|----|----|----|----|----|----|----|----|------|------|------|------|------|------|------|------|------|------|------|
| | 10 | 15 | 20 | 25 | 30 | 35 | 40 | 45 | 50 | 55 | 60 | 65 | 70 | 75 | 80 | 85 | 90 | 95 | 100 | | | |
| 40 | | | | | | | | | | | | | | | | | | | 4,40 | | | |
| 35 | | | | | | | | | | | | | | | | | | | 4,42 | | | |
| 30 | | | | | | | | | | | | | | | | | 4,53 | 4,47 | | | | |
| 25 | | | | | | | | | | | | | | | | | 4,55 | 4,53 | 4,44 | | | |
| 20 | | | | | | | | | | | | | | | | 4,58 | 4,57 | 4,54 | 4,50 | | | |
| 15 | | | | | | | | | | | | | | | | 4,60 | 4,58 | 4,56 | 4,54 | | | |
| 10 | | | | | | | | | | | | | | | 4,70 | 4,64 | 4,60 | 4,58 | 4,55 | | | |
| 5 | | | | | | | | | | | | | | 4,84 | 4,76 | 4,70 | 4,62 | 4,59 | 4,56 | | | |
| 0 | | | | | | | | | | | | | 5,14 | 5,04 | 4,92 | 4,83 | 4,74 | 4,67 | 4,60 | 4,58 | | |
| -5 | | | | | | | | | | | | 5,25 | 5,11 | 5,01 | 4,90 | 4,79 | 4,71 | 4,63 | 4,59 | | | |
| -10 | | | | | | | | | | | | 5,38 | 5,22 | 5,09 | 4,97 | 4,84 | 4,76 | 4,65 | 4,59 | | | |
| -15 | | | | | | | | | | | | 5,52 | 5,31 | 5,16 | 5,01 | 4,90 | 4,79 | 4,68 | 4,60 | | | |
| -20 | | | | | | | | | | | | 5,59 | 5,41 | 5,22 | 5,09 | 4,95 | 4,83 | 4,71 | 4,61 | | | |
| -25 | | | | | | | | | | | | 5,78 | 5,78 | 5,78 | 5,71 | 5,48 | 5,28 | 5,14 | 4,99 | 4,84 | 4,73 | 4,62 |
| -30 | | | | | | | | | | | | 5,78 | 5,78 | 5,78 | 5,78 | 5,55 | 5,34 | 5,16 | 5,01 | 4,86 | 4,74 | |
| -35 | | | | | | | | | | | | 5,78 | 5,78 | 5,78 | 5,78 | 5,59 | 5,38 | 5,19 | 5,04 | 4,88 | 4,74 | |
| -40 | | | | | | | | | | | | 5,78 | 5,78 | 5,78 | 5,78 | 5,63 | 5,41 | 5,22 | 5,04 | 4,88 | 4,74 | |
| -45 | | | | | | | | | | | | 5,78 | 5,78 | 5,78 | 5,78 | 5,67 | 5,44 | 5,22 | 5,04 | 4,88 | | |
| -50 | | | | | | | | | | | | 5,78 | 5,78 | 5,78 | 5,78 | 5,67 | 5,41 | 5,22 | 5,01 | 4,84 | | |
| -55 | | | | | | | | | | | | 5,78 | 5,78 | 5,78 | 5,78 | 5,63 | 5,41 | 5,19 | 4,99 | | | |
| -60 | | | | | | | | | | | | 5,78 | 5,78 | 5,78 | 5,78 | 5,59 | 5,34 | 5,14 | 4,92 | | | |
| -65 | | | | | | | | | | | | 5,78 | 5,78 | 5,78 | 5,78 | 5,52 | 5,28 | 5,06 | | | | |
| -70 | | | | | | | | | | | | 5,78 | 5,78 | 5,78 | 5,67 | 5,41 | 5,19 | | | | | |
| -75 | | | | | | | | | | | | 5,78 | 5,78 | 5,78 | 5,78 | 5,67 | 5,41 | 5,19 | | | | |

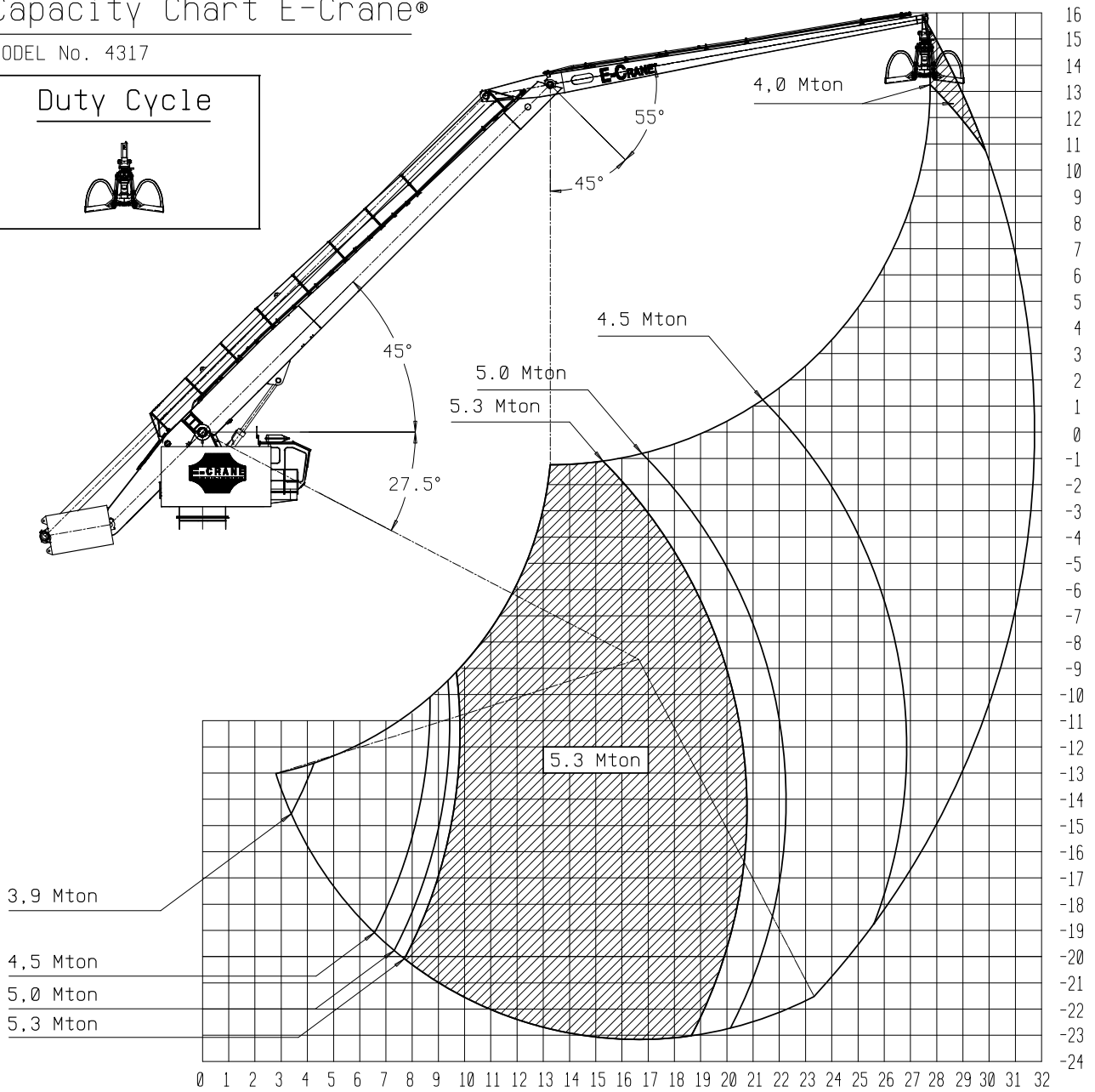
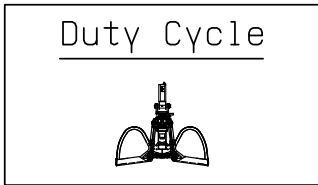
E-Crane 4317



Load Chart (Mton/m)

Capacity Chart E-Crane®

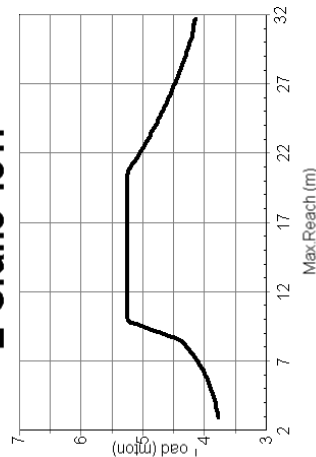
MODEL No. 4317



Dwg.: ALI2012-010

| HEIGHT Relative to BOOM- PIN (m) | | CAPACITY CHART (Mton) / Duty Cycle Operation E-Crane 4317 | | | | | | | | | | | | | | | | | | | |
|---|--|--|-----|-----|---|-----|----|------|----|------|----|------|------|------|------|------|------|------|------|------|------|
| | | REACH (m) | | | | | | | | | | | | | | | | | | | |
| | | 3 | 4,5 | 5,5 | 7 | 8,5 | 10 | 11,5 | 13 | 14,5 | 16 | 17,5 | 19 | 20,5 | 22 | 23,5 | 25 | 26,5 | 28 | 29,5 | 31 |
| 13,5 | | | | | | | | | | | | | | | | | | 4,00 | | | |
| 12 | | | | | | | | | | | | | | | | | | 4,01 | | | |
| 10,5 | | | | | | | | | | | | | | | | | | 4,05 | 4,01 | | |
| 9 | | | | | | | | | | | | | | | | | | 4,12 | 4,04 | | |
| 7,5 | | | | | | | | | | | | | | | | | | 4,13 | 4,11 | | |
| 6 | | | | | | | | | | | | | | | | | 4,16 | 4,14 | 4,12 | | 4,06 |
| 4,5 | | | | | | | | | | | | | | | | 4,21 | 4,18 | 4,16 | 4,14 | | 4,12 |
| 3 | | | | | | | | | | | | | | | 4,26 | 4,20 | 4,17 | 4,15 | | | 4,13 |
| 1,5 | | | | | | | | | | | | | | 4,44 | 4,37 | 4,31 | 4,24 | 4,18 | | | 4,14 |
| 0 | | | | | | | | | | | | | 4,62 | 4,54 | 4,44 | 4,35 | 4,28 | 4,22 | | | 4,15 |
| -1,5 | | | | | | | | | | | | 5,25 | 5,19 | 5,01 | 4,86 | 4,72 | 4,60 | 4,50 | 4,40 | | 4,16 |
| -3 | | | | | | | | | | | | 5,25 | 5,25 | 5,16 | 4,98 | 4,83 | 4,70 | 4,58 | 4,46 | | 4,17 |
| -4,5 | | | | | | | | | | | | 5,25 | 5,25 | 5,25 | 5,08 | 4,92 | 4,77 | 4,62 | 4,52 | | 4,17 |
| -6 | | | | | | | | | | | | 5,25 | 5,25 | 5,25 | 5,19 | 5,01 | 4,83 | 4,70 | 4,56 | | 4,18 |
| -7,5 | | | | | | | | | | | | 5,25 | 5,25 | 5,25 | 5,25 | 5,08 | 4,92 | 4,75 | 4,60 | | 4,18 |
| -9 | | | | | | | | | | | | 5,25 | 5,25 | 5,25 | 5,25 | 5,16 | 4,95 | 4,80 | 4,65 | | 4,27 |
| -10,5 | | | | | | | | | | | | 5,25 | 5,25 | 5,25 | 5,25 | 5,19 | 5,01 | 4,83 | 4,67 | | 4,27 |
| -12 | | | | | | | | | | | | 5,25 | 5,25 | 5,25 | 5,25 | 5,23 | 5,05 | 4,86 | 4,67 | | 4,39 |
| -13,5 | | | | | | | | | | | | 5,25 | 5,25 | 5,25 | 5,25 | 5,25 | 5,25 | 5,25 | 4,67 | | 4,39 |
| -15 | | | | | | | | | | | | 5,25 | 5,25 | 5,25 | 5,25 | 5,25 | 5,05 | 4,86 | 4,67 | | 4,52 |
| -16,5 | | | | | | | | | | | | 5,25 | 5,25 | 5,25 | 5,25 | 5,25 | 5,01 | 4,83 | 4,65 | | 4,48 |
| -18 | | | | | | | | | | | | 5,25 | 5,25 | 5,25 | 5,25 | 5,23 | 4,98 | 4,80 | 4,60 | | 4,60 |
| -19,5 | | | | | | | | | | | | 5,25 | 5,25 | 5,25 | 5,25 | 5,16 | 4,95 | 4,72 | 4,54 | | 4,54 |
| -21 | | | | | | | | | | | | 5,25 | 5,25 | 5,25 | 5,25 | 5,08 | 4,86 | 4,65 | | | 4,65 |
| -22,5 | | | | | | | | | | | | 5,25 | 5,25 | 5,25 | 5,25 | 4,98 | 4,72 | 4,54 | | | 4,98 |

E-Crane 4317

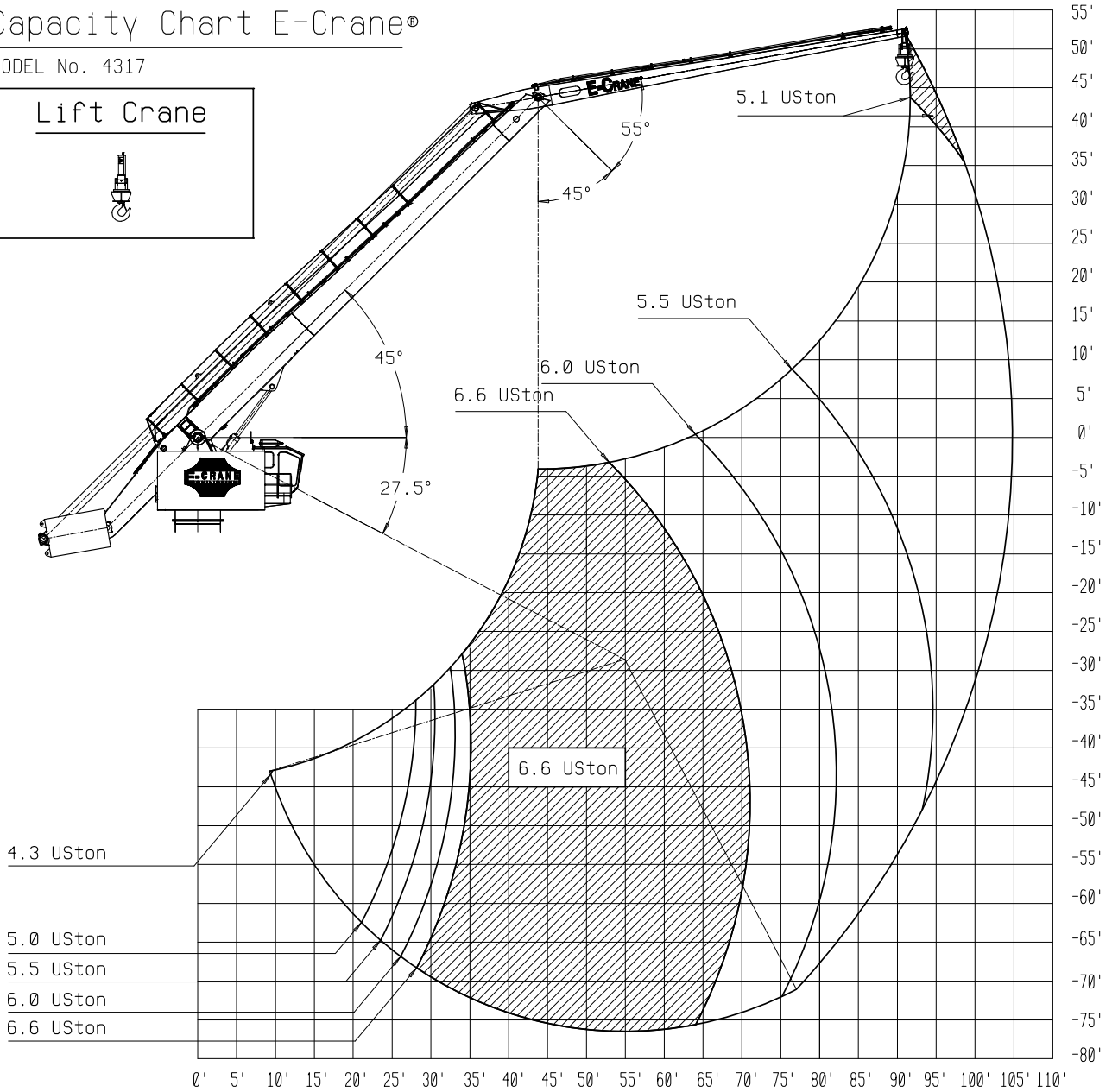
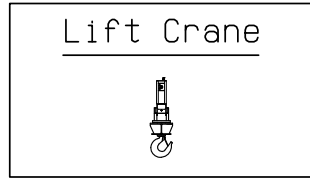


LIFT CRANE OPERATION

Load Chart (USton/ft)

Capacity Chart E-Crane®

MODEL No. 4317



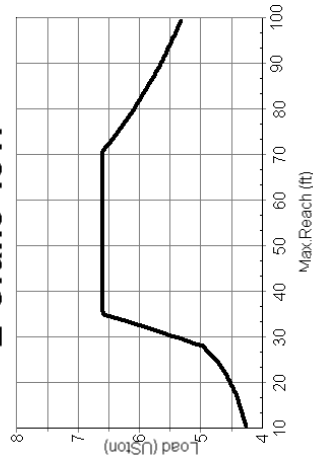
Dwg.: ALI2012-011

CAPACITY CHART (USton) / Lift Crane Operation

E-Crane 4317

| HEIGHT Relative to BOOM- PIN (ft) | REACH (ft) | | | | | | | | | | | | | | | | | | | |
|--|------------|----|----|----|----|----|----|----|----|----|----|------|------|------|------|------|------|------|------|--|
| | 10 | 15 | 20 | 25 | 30 | 35 | 40 | 45 | 50 | 55 | 60 | 65 | 70 | 75 | 80 | 85 | 90 | 95 | 100 | |
| 40 | | | | | | | | | | | | | | | | | | | 5,16 | |
| 35 | | | | | | | | | | | | | | | | | | | 5,17 | |
| 30 | | | | | | | | | | | | | | | | | 5,20 | 5,18 | | |
| 25 | | | | | | | | | | | | | | | | | 5,22 | 5,20 | 5,17 | |
| 20 | | | | | | | | | | | | | | | | 5,27 | 5,25 | 5,22 | 5,19 | |
| 15 | | | | | | | | | | | | | | | | 5,29 | 5,27 | 5,24 | 5,21 | |
| 10 | | | | | | | | | | | | | | | 5,41 | 5,34 | 5,29 | 5,26 | 5,22 | |
| 5 | | | | | | | | | | | | | | | 5,49 | 5,41 | 5,31 | 5,28 | 5,24 | |
| 0 | | | | | | | | | | | | | | | 5,60 | 5,49 | 5,37 | 5,29 | 5,26 | |
| -5 | | | | | | | | | | | | 5,98 | 5,85 | 5,70 | 5,58 | 5,47 | 5,37 | 5,29 | 5,26 | |
| -10 | | | | | | | | | | | | 6,12 | 5,94 | 5,82 | 5,68 | 5,53 | 5,43 | 5,32 | 5,27 | |
| -15 | | | | | | | | | | | | 6,28 | 6,09 | 5,91 | 5,76 | 5,60 | 5,49 | 5,36 | 5,28 | |
| -20 | | | | | | | | | | | | 6,46 | 6,20 | 6,01 | 5,82 | 5,68 | 5,53 | 5,39 | 5,29 | |
| -25 | | | | | | | | | | | | 6,56 | 6,33 | 6,09 | 5,91 | 5,73 | 5,58 | 5,43 | 5,29 | |
| -30 | | | | | | | | | | | | 6,60 | 6,42 | 6,16 | 5,98 | 5,79 | 5,60 | 5,45 | 5,31 | |
| -35 | | | | | | | | | | | | 6,60 | 6,60 | 6,60 | 6,60 | 6,60 | 6,60 | 6,60 | 6,60 | |
| -40 | | | | | | | | | | | | 6,60 | 6,60 | 6,60 | 6,60 | 6,60 | 6,60 | 6,60 | 6,60 | |
| -45 | | | | | | | | | | | | 6,60 | 6,60 | 6,60 | 6,60 | 6,60 | 6,60 | 6,60 | 6,60 | |
| -50 | | | | | | | | | | | | 6,60 | 6,60 | 6,60 | 6,60 | 6,60 | 6,60 | 6,60 | 6,60 | |
| -55 | | | | | | | | | | | | 6,60 | 6,60 | 6,60 | 6,60 | 6,60 | 6,60 | 6,60 | 6,60 | |
| -60 | | | | | | | | | | | | 6,60 | 6,60 | 6,60 | 6,60 | 6,60 | 6,60 | 6,60 | 6,60 | |
| -65 | | | | | | | | | | | | 6,60 | 6,60 | 6,60 | 6,60 | 6,60 | 6,60 | 6,60 | 6,60 | |
| -70 | | | | | | | | | | | | 6,60 | 6,60 | 6,60 | 6,60 | 6,60 | 6,60 | 6,60 | 6,60 | |
| -75 | | | | | | | | | | | | 6,60 | 6,60 | 6,60 | 6,60 | 6,60 | 6,60 | 6,60 | 6,60 | |

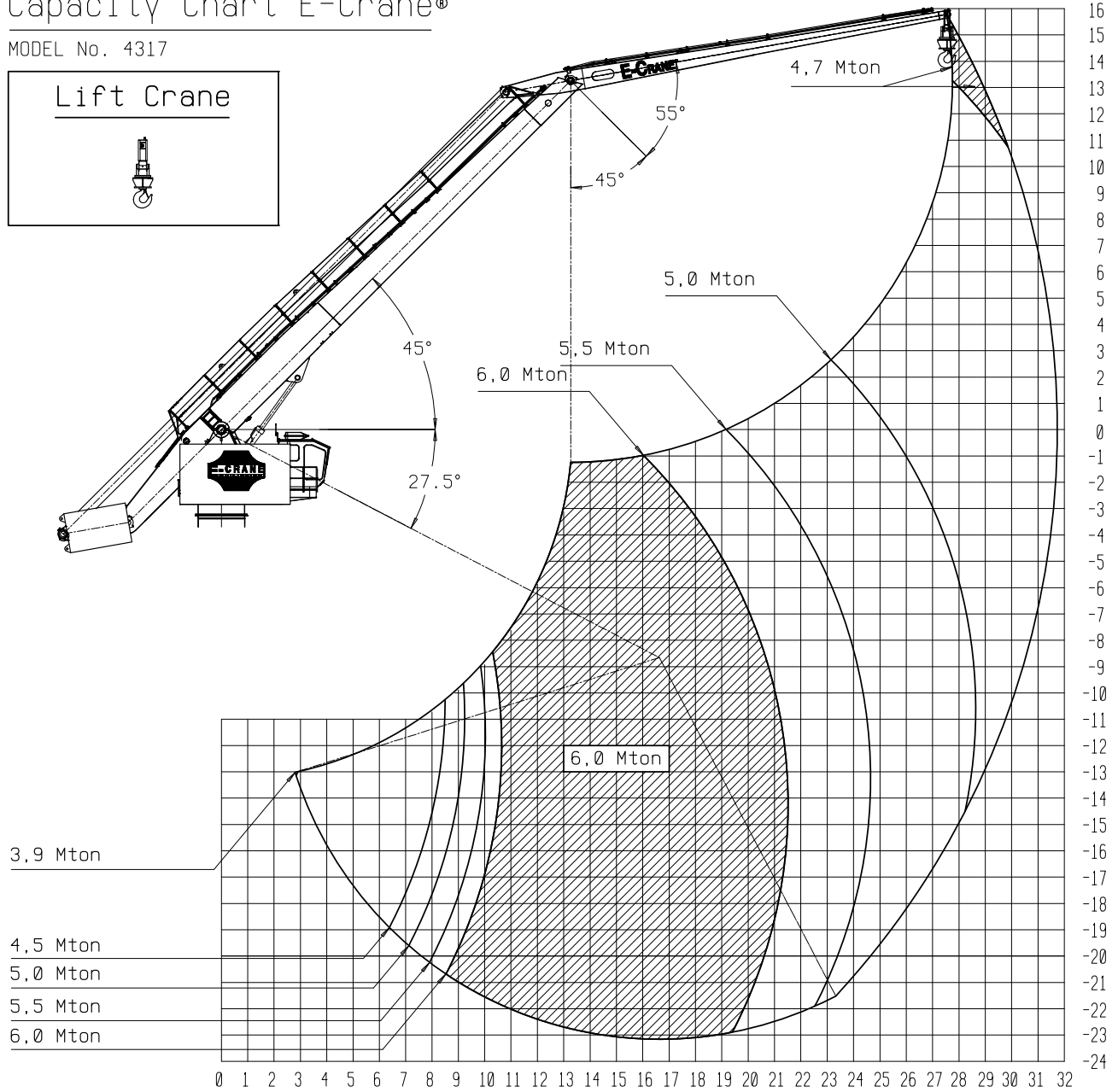
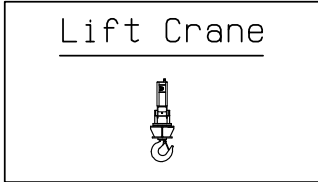
E-Crane 4317



Load Chart (Mton/m)

Capacity Chart E-Crane®

MODEL No. 4317



Dwg.: ALI2012-012

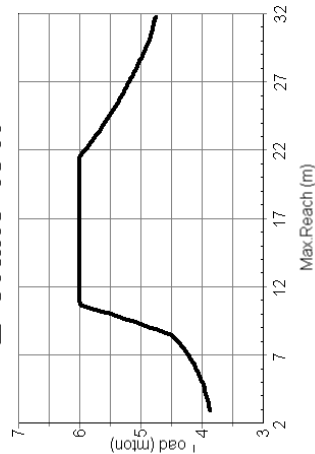
CAPACITY CHART (Mton) / Lift Crane Operation

E-Crane 4317

REACH (m)

| HEIGHT Relative to BOOM- PIN (m) | 3 | 4,5 | 6 | 7,5 | 9 | 10,5 | 12 | 13,5 | 15 | 16,5 | 18 | 19,5 | 21 | 22,5 | 24 | 25,5 | 27 | 28,5 | 30 | 31,5 | |
|---|---|-----|---|-----|---|------|----|------|----|------|----|------|----|------|----|------|----|------|----|------|------------------------------------|
| 13,5 | | | | | | | | | | | | | | | | | | | | | 4,69 |
| 12 | | | | | | | | | | | | | | | | | | | | | 4,69 |
| 10,5 | | | | | | | | | | | | | | | | | | | | | 4,70 |
| 9 | | | | | | | | | | | | | | | | | | | | | 4,71 4,70 |
| 7,5 | | | | | | | | | | | | | | | | | | | | | 4,75 4,73 4,71 |
| 6 | | | | | | | | | | | | | | | | | | | | | 4,77 4,75 4,73 |
| 4,5 | | | | | | | | | | | | | | | | | | | | | 4,81 4,80 4,77 4,74 |
| 3 | | | | | | | | | | | | | | | | | | | | | 4,95 4,87 4,81 4,79 4,76 4,73 |
| 1,5 | | | | | | | | | | | | | | | | | | | | | 5,11 5,03 4,94 4,86 4,80 4,77 4,74 |
| 0 | | | | | | | | | | | | | | | | | | | | | 5,21 5,09 5,01 4,90 4,83 4,79 4,75 |
| -1,5 | | | | | | | | | | | | | | | | | | | | | 5,32 5,18 5,07 4,95 4,87 4,80 4,76 |
| -3 | | | | | | | | | | | | | | | | | | | | | 5,40 5,26 5,14 5,01 4,90 4,81 4,77 |
| -4,5 | | | | | | | | | | | | | | | | | | | | | 5,50 5,34 5,18 5,05 4,94 4,83 |
| -6 | | | | | | | | | | | | | | | | | | | | | 5,60 5,40 5,24 5,09 4,97 4,86 |
| -7,5 | | | | | | | | | | | | | | | | | | | | | 5,67 5,47 5,29 5,14 4,99 4,87 |
| -9 | | | | | | | | | | | | | | | | | | | | | 5,71 5,53 5,34 5,16 5,01 4,87 |
| -10,5 | | | | | | | | | | | | | | | | | | | | | 5,79 5,57 5,37 5,18 5,03 |
| -12 | | | | | | | | | | | | | | | | | | | | | 5,83 5,60 5,37 5,18 5,03 |
| -13,5 | | | | | | | | | | | | | | | | | | | | | 5,83 5,60 5,37 5,18 4,99 |
| -15 | | | | | | | | | | | | | | | | | | | | | 5,83 5,60 5,37 5,16 |
| -16,5 | | | | | | | | | | | | | | | | | | | | | 5,79 5,57 5,32 5,11 |
| -18 | | | | | | | | | | | | | | | | | | | | | 5,75 5,50 5,26 |
| -19,5 | | | | | | | | | | | | | | | | | | | | | 5,96 5,67 5,43 |
| -21 | | | | | | | | | | | | | | | | | | | | | 5,88 5,57 |
| -22,5 | | | | | | | | | | | | | | | | | | | | | 6,00 6,00 |

E-Crane 4317



SPECIFICATIONS

| | Specifications Imperial (**) | Specifications Metric (**) |
|---|---|---------------------------------------|
| Operating Range: | | |
| Minimum Outreach Range (from centerline of rotation) | 9'-2.5/16" | 2,802 m |
| Maximum Outreach (from centerline of rotation) | 104'-1/16" | 31,701 m |
| Downreach Range (below main boom pivot point) | 75'-11.3/4" | 23,158 m |
| Lifting Range (vertical lift) | 127'-8.7/8" | 38,935 m |
| Boom Operating Angles (above and below horizontal) | +45°/-27.5° | +45°/-27.5° |
| Stick Operating Angles (before and after vertical) | +55°/-45° | +55°/-45° |
| Degrees of Rotation | 360° continuous | 360° continuous |
| Power: | | |
| Power Supply | 3-Phase 480 Volts AC, 60 Hz | 3-Phase 380 Volts AC, 50 Hz |
| Electrical Motor | 150 hp | 110 kW |
| Hydraulic Pump Output | | |
| Implement | 101.7 gpm | 385 L/min |
| Swing | 29.4 gpm | 112 L/min |
| Hydraulic System Relief Setting | 3,625 psi | 25.000 kPa |
| Hydraulic Tank Refill Capacity | 300 USgal | 1.135 L |
| Dimensions: | | |
| Boom Length | 61'-6.3/16" | 18,75 m |
| Stick Length | 41'-6.7/8" | 14,5 m |
| Total Weight Superstructure* | 174,504 lbs | 79.320 kg |

(*) Operating weight does not include lubricants, hydraulic oil, bucket and operator

(**) Materials and specifications are subject to change without notice.

See your E-Crane[™] dealer for available options.

Alle rechten voorbehouden. Niets uit deze uitgave mag worden vervoelvoudigd, opgeslagen in een geautomatiseerd gegevensbestand, of openbaar gemaakt, in enige vorm of op enige wijze, hetzij elektronisch, mechanisch, door fotocopieën, opnamen of op andere manier, zonder voorafgaande schriftelijke toestemming van nv Indusign (België).

All rights reserved. No part of this publication may be reproduced, stored in a retrieval system, or transmitted, in any form or by any means, electronic, mechanical, photocopying, recording or otherwise without the written permission of nv Indusign (Belgium).

Alle Rechte vorbehalten. Nachdruck, Aufnahme in ein Retrieval-System, jedwede elektronische, mechanische, fotokopierte, oder andere Übertragung, auch auszugsweise, ist ohne ausdrücklicher, schriftlicher Genehmigung von nv Indusign (Belgien) verboten.

Ce manuel ne peut en aucune façon être copié, sans autorisation écrite du firme nv Indusign (Belgique).