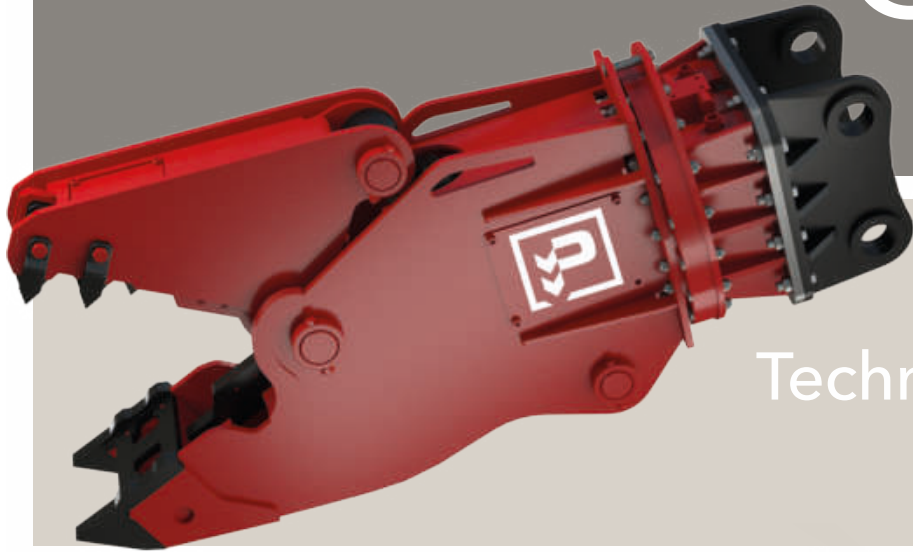
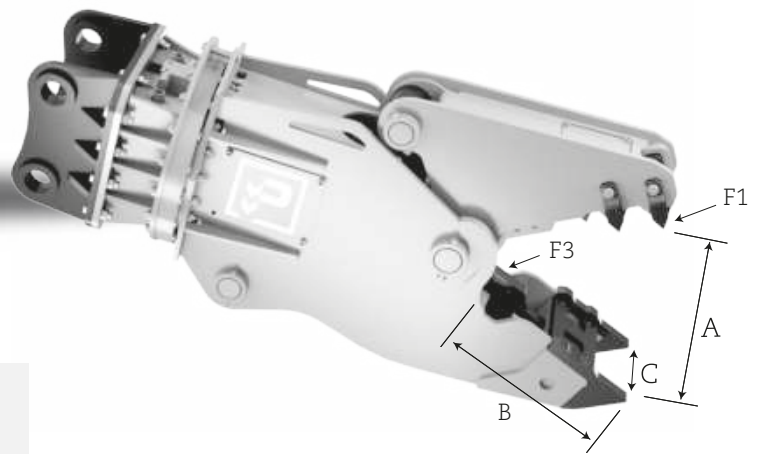


CR3600

CR series



Technical Specification



Crusher weight 3330 Kg

Excavator weight 32-40 ton

Max Jaws opening (A) 1010 mm

Jaws useful length (B) 1040 mm

Jaws width (upper/lower) (C) 314-490 mm

Closing force at tip (F1) 110 ton

Closing force at blades (F3) 380 ton

Opening/closing oil flow 300-350 l/min

Opening/closing pressure 350 bar

Rotation oil flow 40-50 l/min

Rotation pressure 120 bar

Rotation 360° hydraulic