

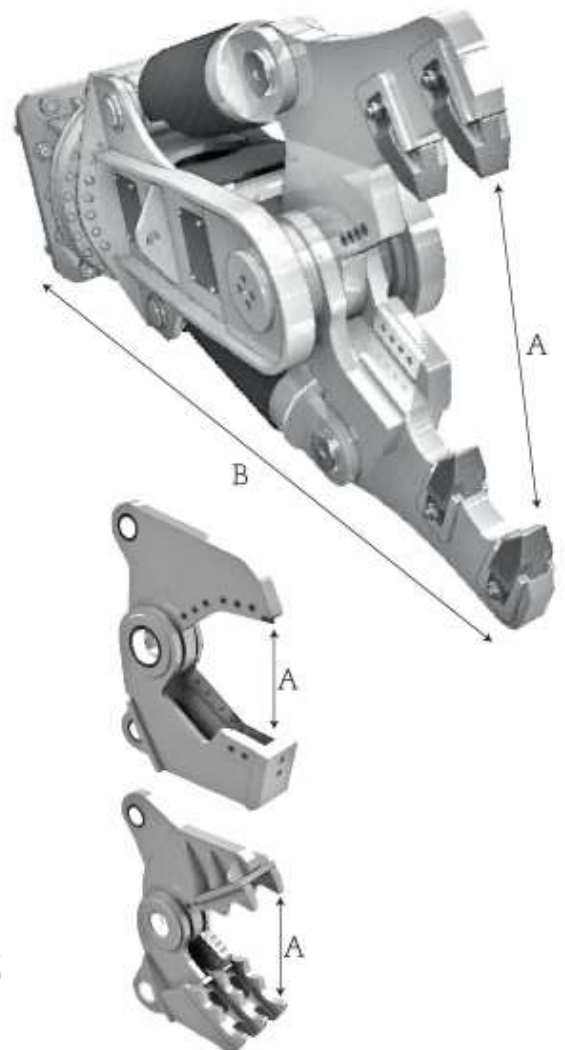
# CP4000

CP series



## TECHNICAL SPECIFICATIONS

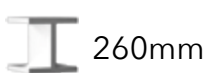
Working weight	3500 Kg
Excavator weight	33/50 ton
Cylinder force	115 t
Cylinders working pressure	350 bar
Cylinder oil flow	300/350 l/min
Rotation engine pressure	120 bar
Rotation oil flow (Min/Max)	40/50 l/min
Max jaws opening (A) PR	1248 mm
Max jaws opening (A) SC	611 mm
Max jaws opening (A) FR	1042 mm
FR Kit (to be mounted on PR jaws)	--
Total height (B)	2600 mm
Rotation 360°	hydraulic



## Cutting Data profile SC Jaws



360mm



260mm



65mm