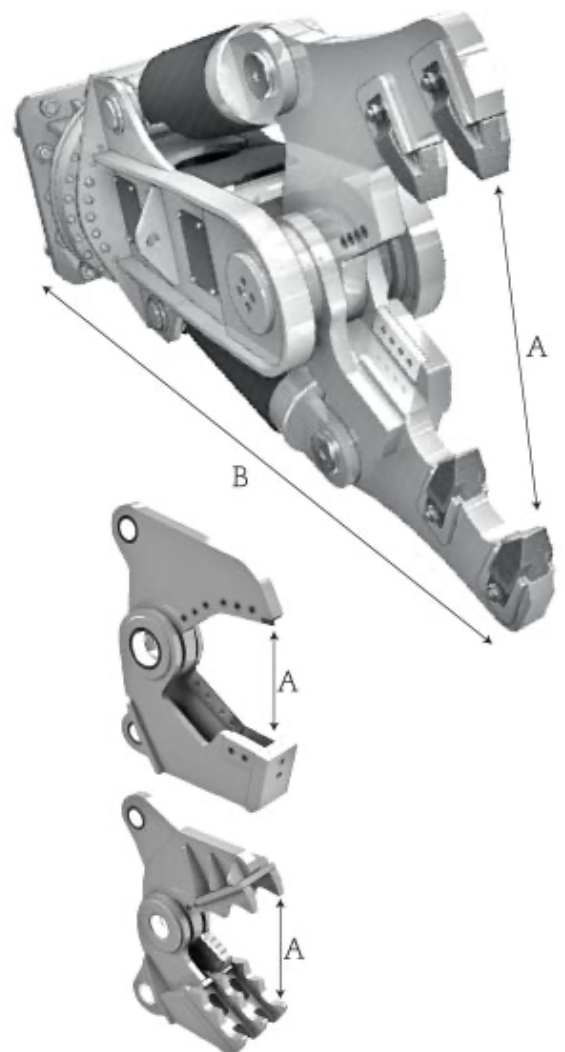


CP1510

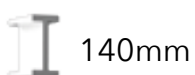
CP series



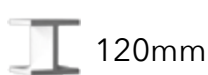
Working weight	1500 Kg
Excavator weight	15/22 ton
Cylinder force	76 t
Cylinders working pressure	320 bar
Cylinder oil flow	100/180 l/min
Rotation engine pressure	100 bar
Rotation oil flow (Min/Max)	10/12
Max jaws opening (A) PR	720 mm
Max jaws opening (A) SC	400 mm
Max jaws opening (A) FR	664 mm
Total height (B)	1800 mm
Rotation 360°	hydraulic



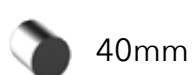
Cutting data with SC jaws



140mm



120mm



40mm