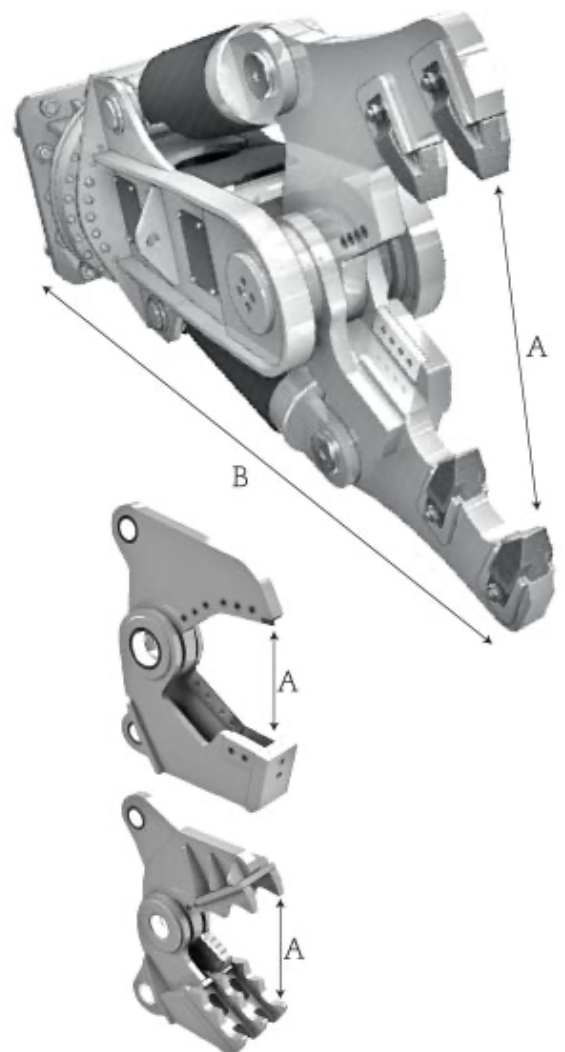


CP1000

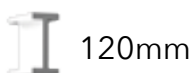
CP series



| | |
|-----------------------------|--------------|
| Working weight | 1000 Kg |
| Excavator weight | 10/15 ton |
| Cylinder force | 50 t |
| Cylinders working pressure | 300 bar |
| Cylinder oil flow | 60/120 l/min |
| Rotation engine pressure | 100 bar |
| Rotation oil flow (Min/Max) | 10/12 |
| Max jaws opening (A) PR | 620 mm |
| Max jaws opening (A) SC | 330 mm |
| Max jaws opening (A) FR | 560 mm |
| Total height (B) | 1500 mm |
| Rotation 360° | hydraulic |



Cutting data with SC jaws



120mm



100mm



35mm