



ATLAS

SINCE 1919

**FAST.
RELIABLE.
VERSATILE.**

 53 - 57 t

 216 kW (295 HP)

 18.1 - 21.9 m



MATERIAL HANDLING MACHINE 520MH

WWW.ATLASGMBH.COM

TECHNICAL SPECIFICATION 520MH

Technical Specification

ENGINE

Power according to ISO 9249...216 kW (295 HP)	Cylinder capacity7800 cm ³	Air filterDry air filter
RPM1800/min	Number of cylinders.....6	Battery 2x 12V / 143 Ah
Make/Model.....Deutz / TCD 7.8 L6 EU Stufe IV	Borehole/lift.....110/136	Alternator28,5 V / 100 A
Design.....Turbocharger/ intercooler	Cooling system.....Water-cooled	Starter.....24V / 4.0 kW

HYDRAULIC SYSTEM

• AWE 5 system (load sensing)	• Suction valves for all work functions	• Overload warning device
• 2 Load limit controlled high-performance piston pumps	• Load-retaining and fine-drop valve in lifting circuit	
• Fuel efficient flow-on-demand control	• Pipe break protection valves for lifting cylinders	• Max. oil flow2 x 380 l/min
• Sensitive, proportional, independent control	• Grab and grab-rotating function	• Max. operating pressure.....360 bar
• Primary and secondary protection against overload	• 2 additional circuits for additional consumer loads possible	• Operating modes: 3 pre-programmed modes (Fine, Eco, Power)

SWING ASSEMBLY

• Swing motor	Axial piston motor with priority valve	• Max. swing speed.....5.2/min
• Swing gear:	Planetary transmission	• Swing torque164 kNm
• Swing brake:	Automatic multidisc brake	

TRACTION DRIVE AND BRAKES

• Variable displacement motor	• Automotive drive and cruise control	• Dual circuit brake systemdrum brake
• Power-shift transmission	• Maximum speed16 km/h	• Parking brakespring-loaded brake
• Double-acting brake valve	• Terrain speed.....5 km/h	
• Driving direction pre-selection via switch in joystick	• Crawling speed1 km/h	

UNDERCARRIAGE

• 70 t special excavator axles	• Steering axle with automatic oscillating axle locking	• 8 tyres Solid rubber tyres.....12.00 - 24
--------------------------------	---------------------------------------------------------	---------------------------------------------

FILL CAPACITIES

• Fuel tank..... 920 Liter	• Engine oil..... 21 Liter	• Hydraulics system1400 litres
• Cooling system 53 Liter	• Hydraulic tank 720 Liter	• Ad Blue 50 Liter

DRIVER'S CAB

• Meets latest safety standards	CONTROL:	CLIMATE CONTROL:
• Extra-wide entrance	• Ergonomic joysticks	• Air conditioning equipped as standard
• Spacious leg room	• Steering via potentiometer	• Very good air distribution through optimally arranged nozzles
• Vario cab can be driven 3 m high and 2.5 m forwards	• Indicators, controls and operating switches are clearly arranged	
• Excellent circumferential visibility		SOUND LEVELS:
• Preparation for radio installation with mute function	MONITORING:	• ISO 6396 (L _{pA}) in driver's cab70 dB(A)
	• Operating data display screen	• 2000/14EG (L _{wA}) ambience level105 dB(A)
DRIVER'S SEAT:	• Automatic system for monitoring, warning and storage of data	
• Air-cushioned comfort seat (optional seat heating)		
• Arm rests and lumbar support		
• Seat adjustable separately from console		

WORKING EQUIPMENT 520MH

Working Equipment

OPERATING WEIGHTS

	LOADING BOOM 9.80 m (C94.5i)	LOADING BOOM 12.10 m (C94.6i) / (C94.16iD)
	Stick 7.50 m (D94.15i)	Stick 9.24 m (D94.16i)
4 outriggers	53 t	54 t
1 m pylon	55 t	56 t
2 m pylon	56 t	57 t

Operating weight with driver, solid rubber tyres, completely filled implement and 1.5 t for attachments

EQUIPMENT

BASIC DEVICE ATLAS 520MH

- Material Handler 520MH with quadruple outriggers and 2 lifting cylinders (A 94.32)

Hydraulics:

- Grab and grab-rotating function
- Accumulator for emergency lowering of the arm system
- Pipe-break protection valves for lifting cylinders
- Overload warning device
- Cylinder end-position damping

- Sliding window in cab door

Booms:

- Loading boom 9.80 m (C94.5i)
- Loading boom 12.10 m (C94.6i)
- Loading boom 12.10 m (Banana) (C94.6iD)

- Ready for electric cooling box
- Different options for storage, compartment for documents
- Rear view security camera with LCD colour monitor
- Vario cab can be driven 3m high and 2.5 m forwards

Sticks:

- Stick 7.50 m (D 94.15i) for (C94.15i)
- Stick 9.24 m (D 94.16i) for (C94.16i/C94.16iD)

Cab:

- Air conditioning
- Preparation for radio installation with mute function
- Seat adjustable separately from console
- Heat-insulating glass, tinted windows
- Automotive driving and cruise control
- Operating data display screen

Equipment:

- Combined lubricating points for swing bearing and arm equipment

STANDARD EQUIPMENTG:

Engine:

- Automatic idle
- Diesel pre-filter
- Engine monitoring

Undercarriage:

- Tool box in the undercarriage

ADDITIONAL EQUIPMENT

Engine:

- Refueling pump
- Engine speed adjustment via potentiometer
- Auxiliary heating
- Cold start assistance

Cab:

- Cab protection guard
- Beacon light
- Heated driver's seat
- Radio/CD/MP3, front AUX in, USB
- Cab elevation
- GPS/GSM Telemetriebox, for monitoring of operating data, fuel consumption, location
- Head rest
- Working lights, LED
- Electric cooling box

Other special equipment: See price list

Hydraulics:

- Hydraulic kit, to operate front and rear supports separately
- Bio oil

ATTACHMENTS

- Clamshell grab
- Orange peel grab
- Load hook
- Load lifting magnet
- Log grab

DO THE RIGHT JOB

FULL STEAM AHEAD

Get your cargo handling moving. In times of rapid growth in the transport sector you need handling equipment with which you can work fast.

Particularly good for port use:

- Low costs per tonne thanks to fast and responsive operation and low-maintenance processing.
 - High handling capacity thanks to enormous lifting power.
 - Arm construction specially designed to clear ships' sides.
 - Cab system with Vario cab.
 - Can be supplied with pylon upon request.
-
- Newly developed banana boom for ship unloading.

RECYCLING & SCRAP

PORTS



STABILITY



- Here the new undercarriage with moving pads and new ascent to get more comfortable in the cabin.
- New outrigger pads for increased stability again.

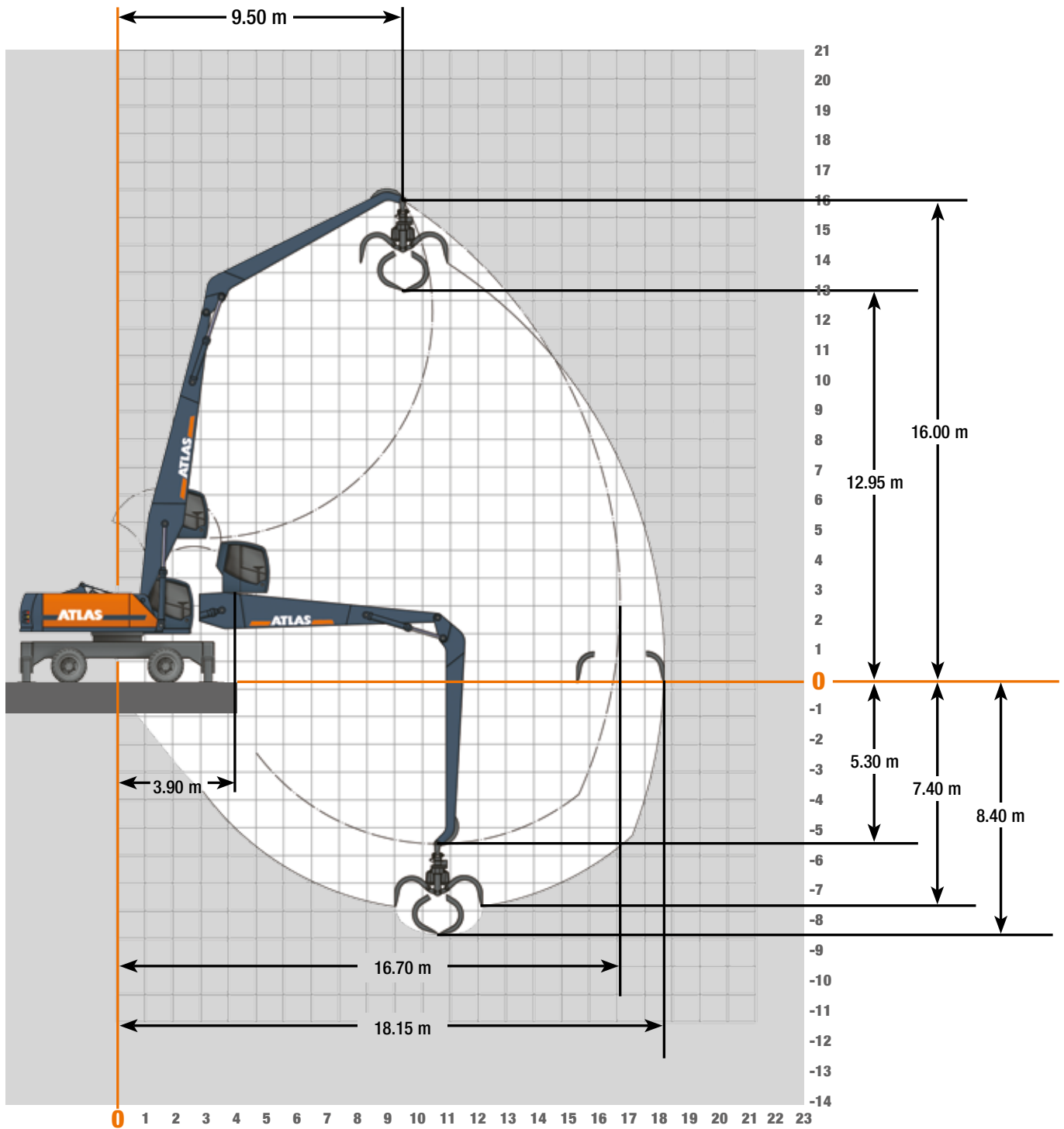


RELIABLE – BECAUSE EVERY MINUTE COUNTS

Our market leadership is based on our well-proven technology tried and tested a thousand times over in the most arduous applications. High-tensile steels, robust electric and electronic components as well as excellent workmanship in all hydraulic components ensure that the material handler is the reliable heart on any construction site.

WORKING RANGES 520MH

Working Ranges Loading boom 9.80 m (C94.5i) with Stick 7.50 m (D94.15i)



LIFTING CAPACITIES 520MH

Lifting Capacities Loading boom 9.80 m (C94.5i) and Stick 7.50 m (D94.15i)

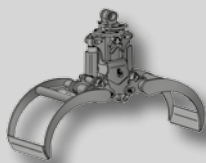
HEIGHT		6.0 m		7.5 m		9.0 m		10.5 m		12.0 m		13.5 m		15.0 m		16.5 m		18.0 m		19.5 m		
		FRONT	LATERAL	FRONT	LATERAL	FRONT	LATERAL	FRONT	LATERAL	FRONT	LATERAL	FRONT	LATERAL	FRONT	LATERAL	FRONT	LATERAL	FRONT	LATERAL	FRONT	LATERAL	
18.0 m	outriggers down																					
	outriggers up																					
16.5 m	outriggers down																					
	outriggers up																					
15.0 m	outriggers down							8.5*	8.5*													
	outriggers up							8.5*	6.9													
13.5 m	outriggers down							8.2*	8.2*	7.8*	7.8*											
	outriggers up							8.2*	7.1	7.0	5.6											
12.0 m	outriggers down							8.2*	8.2*	7.7*	7.7*	7.3*	7.3*									
	outriggers up							8.2*	7.1	7.0	5.6	5.7	4.5									
10.5 m	outriggers down							8.3*	8.3*	7.8*	7.8*	7.3*	7.3*									
	outriggers up							8.3*	7.0	7.0	5.6	5.7	4.5									
9.0 m	outriggers down							8.6*	8.6*	8.0*	8.0*	7.4*	7.4*	7.0*	7.0*							
	outriggers up							8.6	6.9	6.9	5.5	5.6	4.4	4.7	3.6							
7.5 m	outriggers down					10.1*	10.1*	9.0*	9.1*	8.3*	8.3*	7.6*	7.6*	7.1*	7.1*							
	outriggers up					10.1*	8.5	8.4	6.6	6.7	5.3	5.5	4.3	4.6	3.6							
6.0 m	outriggers down			12.7*	12.7*	10.9*	10.9*	9.6*	9.6*	8.6*	8.6*	7.8*	7.8*	7.2*	7.2*							
	outriggers up			12.7*	10.6	10.2	8.0	8.1	6.3	6.5	5.1	5.4	4.2	4.5	3.5							
4.5 m	outriggers down	18.0*	18.0*	14.2*	14.2*	11.8*	11.8*	10.2*	10.2*	9.0*	9.0*	8.1*	8.1*	7.4*	7.4*							
	outriggers up	17.5	13.3	12.6	9.8	9.7	7.5	7.7	6.0	6.3	4.9	5.2	4.0	4.4	3.4							
3.0 m	outriggers down	15.3*	15.3*	15.6*	15.6*	12.7*	12.7*	10.7*	10.7*	9.4*	9.4*	8.3*	8.3*	7.5*	7.5*	6.7*	6.7*					
	outriggers up	15.3*	11.9	11.7	9.0	9.1	7.0	7.4	5.7	6.0	4.7	5.1	3.9	4.3	3.3	3.7	2.8					
1.5 m	outriggers down	5.5*	5.5*	16.6*	16.6*	13.3*	13.3*	11.2*	11.2*	9.6*	9.6*	8.5*	8.5*	7.5*	7.5*							
	outriggers up	5.5*	5.5*	11.0	8.3	8.6	6.6	7.0	5.4	5.8	4.4	4.9	3.7	4.2	3.2							
0 m	outriggers down	4.7*	4.7*	13.5*	13.5*	13.7*	13.7*	11.4*	11.4*	9.8*	9.8*	8.6*	8.6*	7.5*	7.5*							
	outriggers up	4.7*	4.7*	10.5	7.8	8.3	6.2	6.8	5.1	5.6	4.3	4.8	3.6	4.1	3.1							
-1.5 m	outriggers down	5.2*	5.2*	11.3*	11.3*	13.7*	13.7*	11.5*	11.5*	9.8*	9.8*	8.5*	8.5*	7.4*	7.4*							
	outriggers up	5.2*	5.2*	10.2	7.5	8.0	6.0	6.6	4.9	5.5	4.1	4.7	3.5	4.1	3.0							
-3.0 m	outriggers down	6.2*	6.2*	11.3*	11.3*	13.4*	13.4*	11.2*	11.2*	9.5*	9.5*	8.2*	8.2*	7.0*	7.0*							
	outriggers up	6.2*	6.2*	10.0	7.4	7.9	5.9	6.5	4.8	5.4	4.1	4.7	3.5	4.1	3.0							
-4.5 m	outriggers down					12.6*	12.6*	10.6*	10.6*	9.0*	9.0*	7.6*	7.6*									
	outriggers up					7.9	5.9	6.4	4.8	5.4	4.0	4.7	3.5									
-6.0 m	outriggers down																					
	outriggers up																					

The specified max. loading capacities in tonnes include a stability of 33% or are calculated at 87% of the hydraulic lifting power, as per ISO10567. These values are applicable at the tip of the arm with optimum positioning of the corresponding arm system. * Value limited due to hydraulics. Weights of attached load carrying accessories (grab, magnet, load hook, etc.) are not included with the load carrying values.

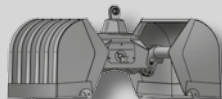
Attachments



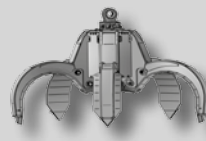
Load hook



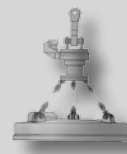
Log grab



Clamshell grab



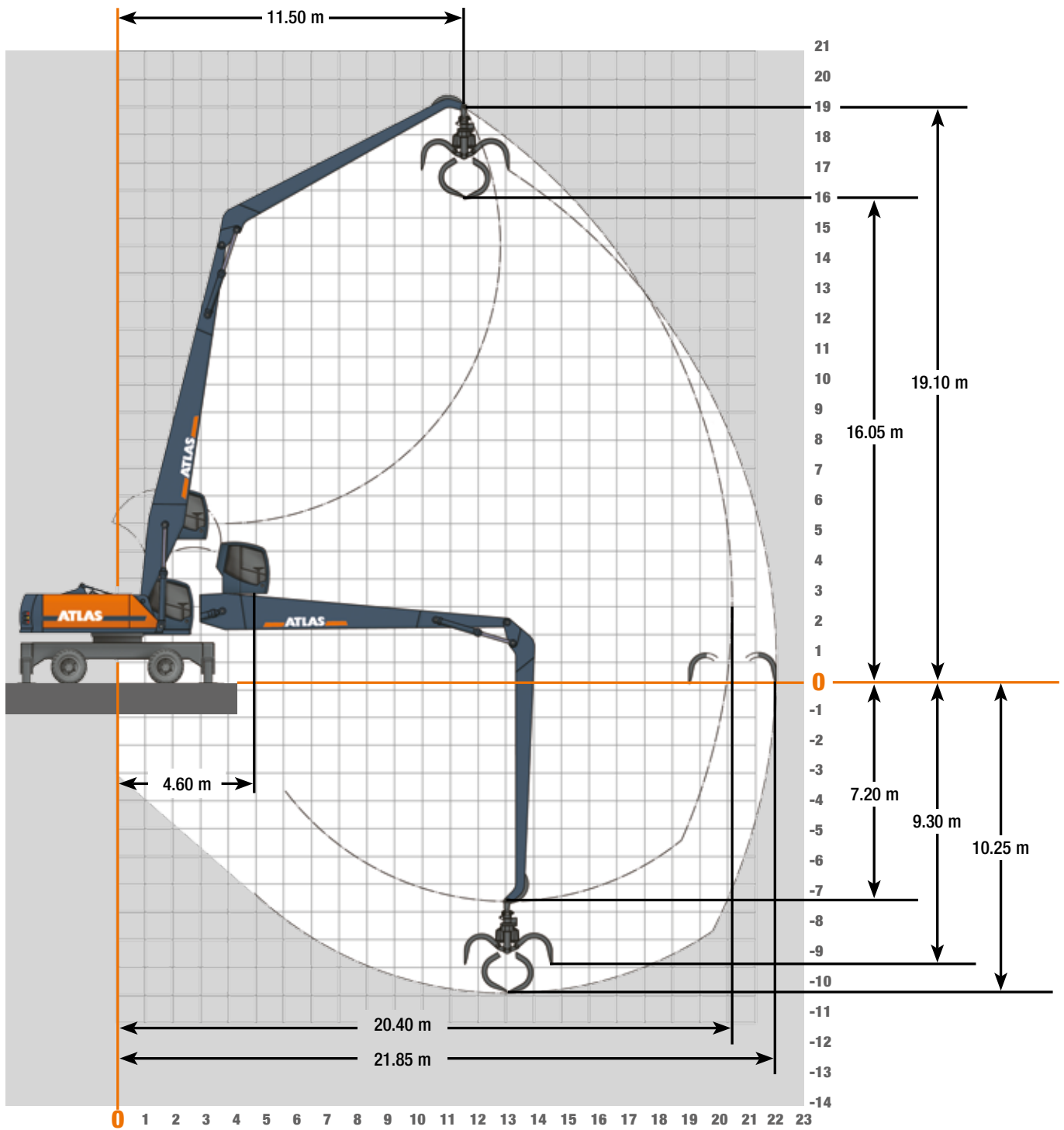
Orange peel grab



Load lifting magnet

WORKING RANGES 520MH

Working Ranges Loading boom 12.10 m (C94.6i) with Stick 9.24 m (D94.16i)



LIFTING CAPACITIES 520MH

Lifting Capacities Loading boom 12.10 m (C94.6i) with Stick 9.24 m (D94.16i)

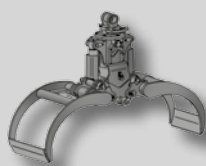
HEIGHT		6.0 m		7.5 m		9.0 m		10.5 m		12.0 m		13.5 m		15.0 m		16.5 m		18.0 m		19.5 m	
		FRONT	LATERAL	FRONT	LATERAL	FRONT	LATERAL	FRONT	LATERAL	FRONT	LATERAL	FRONT	LATERAL	FRONT	LATERAL	FRONT	LATERAL	FRONT	LATERAL	FRONT	LATERAL
18.0 m	outriggers down																				
	outriggers up																				
16.5 m	outriggers down											5.7*	5.7*								
	outriggers up											5.7*	4.6								
15.0 m	outriggers down											5.7*	5.7*	5.3*	5.3*						
	outriggers up											5.7*	4.6	4.8	3.7						
13.5 m	outriggers down											5.7*	5.7*	5.3v	5.3*	5.0*	5.0*				
	outriggers up											5.7*	4.6	4.8	3.7	3.9	2.9				
12.0 m	outriggers down											5.7*	5.7*	5.3*	5.3*	5.0*	5.0*				
	outriggers up											5.7*	4.6	4.7	3.7	3.9	2.9				
10.5 m	outriggers down									6.4*	6.4*	5.9*	5.9*	5.4*	5.4*	5.1*	5.1*	4.7*	4.7*		
	outriggers up									6.4*	5.6	5.7	4.5	4.7	3.6	3.8	2.9	3.1	2.3		
9.0 m	outriggers down									6.7*	6.7*	6.1*	6.1*	5.6*	5.6*	5.1*	5.1*	4.8*	4.8*		
	outriggers up									6.7*	5.3	5.5	4.3	4.5	3.5	3.7	2.8	3.1	2.2		
7.5 m	outriggers down							7.8*	7.8*	7.0*	7.0*	6.3*	6.3*	5.7*	5.7*	5.2*	5.2*	4.8*	4.8*	4.5*	4.5*
	outriggers up							7.8*	6.4	6.5	5.1	5.3	4.1	4.4	3.3	3.6	2.7	3.0	2.2	2.5	1.7
6.0 m	outriggers down			11.7*	11.7*	9.7*	9.7*	8.3*	8.3*	7.3*	7.3*	6.5*	6.5*	5.9*	5.9*	5.3*	5.3*	4.9*	4.9*	4.5*	4.5*
	outriggers up			11.7*	10.0	9.7*	7.6	7.6	5.9	6.2	4.7	5.0	3.8	4.2	3.1	3.5	2.5	2.9	2.1	2.4	1.7
4.5 m	outriggers down	16.9*	16.9*	12.9*	12.9*	10.4*	10.4*	8.8*	8.8*	7.6*	7.6*	6.7*	6.7*	6.0*	6.0*	5.5*	5.5*	5.0*	5.0*	4.6*	4.5*
	outriggers up	16.0	12.0	11.7	8.8	8.9	6.8	7.1	5.4	5.8	4.4	4.8	3.6	4.0	2.9	3.3	2.4	2.8	2.0	2.4	1.6
3.0 m	outriggers down	1.9*	1.9*	13.9*	13.9*	11.1*	11.1*	9.3*	9.3*	7.9*	7.9*	7.0*	7.0*	6.2*	6.2*	5.6*	5.6*	5.0*	5.0*	4.6*	4.6*
	outriggers up	1.9*	1.9*	10.4	7.7	8.2	6.1	6.6	4.9	5.4	4.0	4.5	3.3	3.8	2.7	3.2	2.3	2.7	1.9	2.3	1.5
1.5 m	outriggers down			5.7*	5.7*	11.6*	11.6*	9.6*	9.6*	8.2*	8.2*	7.2*	7.1*	6.3*	6.3*	5.6*	5.6*	5.1*	5.1*	4.6*	4.6*
	outriggers up			5.7*	5.7*	7.5	5.4	6.1	4.4	5.1	3.7	4.2	3.1	3.6	2.5	3.1	2.1	2.6	1.8	2.2	1.5
0 m	outriggers down			4.1*	4.1*	11.6*	11.6*	9.8*	9.8*	8.4*	8.4*	7.2*	7.2*	6.4*	6.4*	5.7*	5.7*	5.1*	5.1*	4.5*	4.5*
	outriggers up			4.1*	4.1*	7.0	4.9	5.7	4.1	4.8	3.4	4.0	2.8	3.4	2.4	2.9	2.0	2.5	1.7	2.2	1.4
-1.5 m	outriggers down			4.0*	4.0*	8.9*	8.9*	9.9*	9.9*	8.4*	8.4*	7.3*	7.3*	6.4*	6.4*	5.6*	5.6*	5.0*	5.0*	4.4*	4.4*
	outriggers up			4.0*	4.0*	6.6	4.6	5.4	3.8	4.5	3.2	3.8	2.7	3.3	2.2	2.8	1.9	2.4	1.6	2.1	1.4
-3.0 m	outriggers down			4.4*	4.4*	8.3*	8.3*	9.8*	9.8*	8.3*	8.3*	7.2*	7.2*	6.3*	6.3*	5.5*	5.5*	4.8*	4.8*		
	outriggers up			4.4*	4.4*	6.4	4.4	5.2	3.6	4.4	3.0	3.7	2.5	3.2	2.2	2.8	1.8	2.4	1.6		
-4.5 m	outriggers down			5.0*	5.0*	8.4*	8.5*	9.4*	9.4*	8.1*	8.1*	6.7*	7.0*	6.1*	6.1*	5.3*	5.3*	4.6*	4.6*		
	outriggers up			5.0*	5.0*	6.3	4.3	5.1	3.5	4.3	2.9	3.4	2.5	3.2	2.1	2.7	1.8	2.4	1.6		
-6.0 m	outriggers down					9.0*	9.0*	8.9*	8.9*	7.7*	7.7*	6.6*	6.6*	5.7*	5.7*	5.0*	5.0*				
	outriggers up					6.3	4.4	5.1	3.5	4.3	2.9	3.6	2.4	3.1	2.1	2.7	1.8				

The specified max. loading capacities in tonnes include a stability of 33% or are calculated at 87% of the hydraulic lifting power, as per ISO10567. These values are applicable at the tip of the arm with optimum positioning of the corresponding arm system. * Value limited due to hydraulics. Weights of attached load carrying accessories (grab, magnet, load hook, etc.) are not included with the load carrying values.

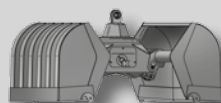
Attachments



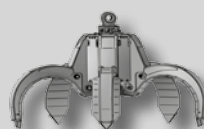
Load hook



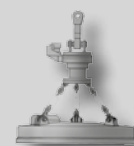
Log grab



Clamshell grab



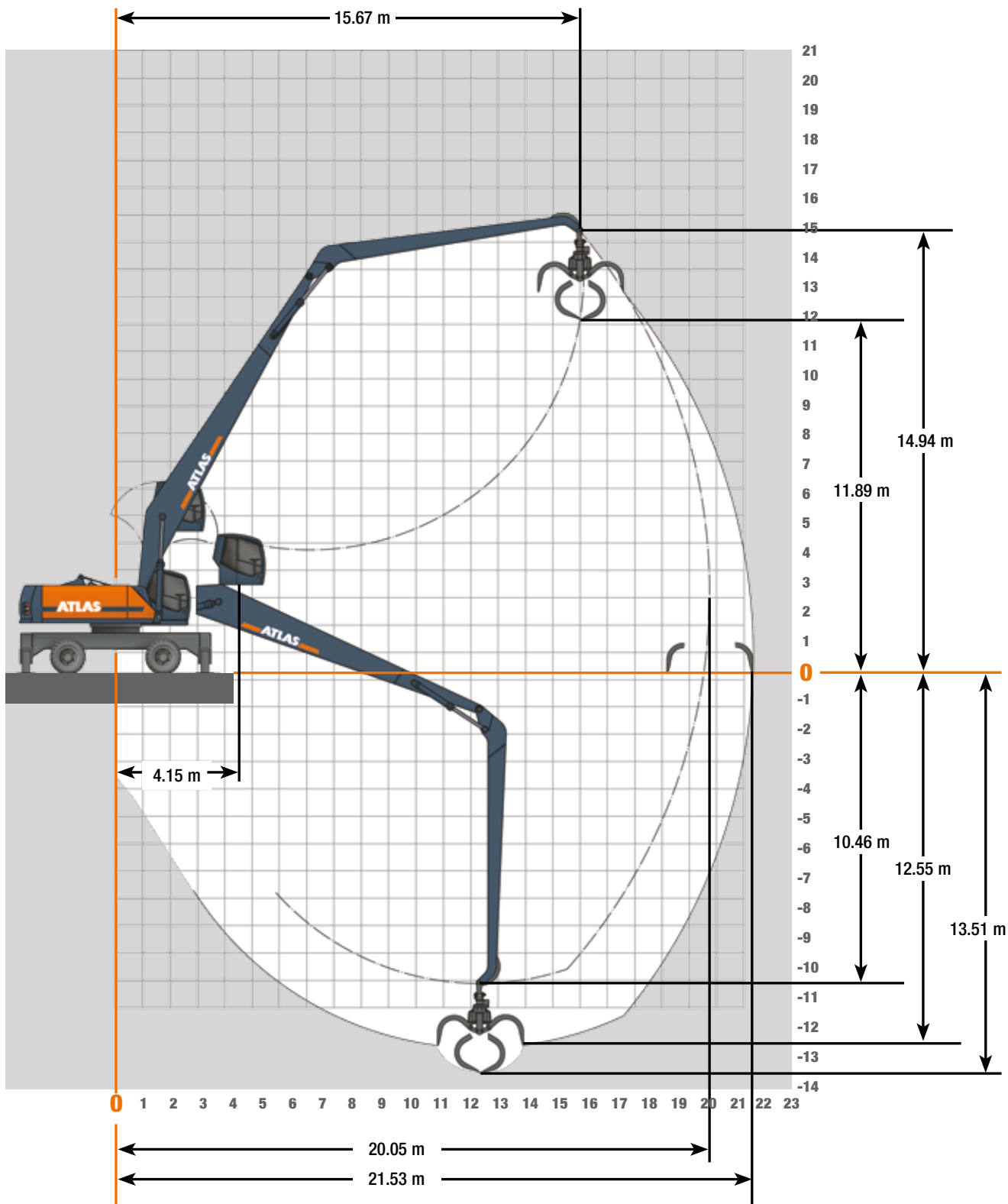
Orange peel grab



Load lifting magnet

WORKING RANGES 520MH

Working Ranges Loading boom 12.10 m (C94.6iD) with Stick 9.24 m (D94.16i)



LIFTING CAPACITIES 520MH

Lifting Capacities Loading boom 12.10 m (C94.6iD) with Stick 9.24 m (D94.16i)

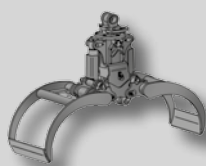
HEIGHT		6.0 m		7.5 m		9.0 m		10.5 m		12.0 m		13.5 m		15.0 m		16.5 m		18.0 m		19.5 m	
		FRONT	LATERAL	FRONT	LATERAL	FRONT	LATERAL	FRONT	LATERAL	FRONT	LATERAL	FRONT	LATERAL	FRONT	LATERAL	FRONT	LATERAL	FRONT	LATERAL	FRONT	LATERAL
18.0 m	outriggers down																				
	outriggers up																				
16.5 m	outriggers down																3.8*	3.8*			
	outriggers up																3.8	3.1			
15.0 m	outriggers down																3.8*	3.8*			
	outriggers up																3.8	3.1			
13.5 m	outriggers down																3.9*	3.9*	3.8*	3.8*	
	outriggers up																3.9	3.0	3.3	2.4	
12.0 m	outriggers down													4.2*	4.2*	4.0*	4.0*	3.9*	3.9*		
	outriggers up													4.2*	3.6	3.9	2.9	3.2	2.4		
10.5 m	outriggers down													4.4*	4.4*	4.2*	4.2*	4.0*	4.0*		
	outriggers up													4.4*	3.5	3.8	2.8	3.1	2.3		
9.0 m	outriggers down									5.6*	5.6*	5.1*	5.1*	4.7*	4.7*	4.4*	4.4*	4.1*	4.1*	3.9*	3.9*
	outriggers up									5.6*	5.0	5.1*	4.0	4.3	3.3	3.6	2.7	3.0	2.2	2.5	1.8
7.5 m	outriggers down					8.1*	8.1*	6.9*	6.9*	6.0*	6.0*	5.4*	5.4*	4.9*	4.9*	4.6*	4.6*	4.3*	4.3*	4.0*	4.0*
	outriggers up					8.1*	7.1	6.9*	5.7	6.0	4.6	5.0	3.8	4.1	3.1	3.5	2.5	3.0	2.1	2.5	1.7
6.0 m	outriggers down	2.4*	2.4*	11.4*	11.4*	9.1*	9.1*	7.6*	7.6*	6.5*	6.5*	5.8*	5.8*	5.2*	5.2*	4.8*	4.8*	4.4*	4.4*	4.1*	4.1*
	outriggers up	2.4*	2.4*	10.8	8.0	8.5	6.4	6.8	5.1	5.6	4.2	4.7	3.5	3.9	2.9	3.3	2.4	2.8	2.0	2.4	1.6
4.5 m	outriggers down			6.1*	6.1*	9.9*	9.9*	8.2*	8.2*	7.0*	7.0*	6.1*	6.1*	5.5*	5.5*	5.0*	5.0*	4.6*	4.6*	4.2*	4.2*
	outriggers up			6.1*	6.1*	7.7	5.7	6.3	4.6	5.2	3.8	4.4	3.2	3.7	2.7	3.2	2.2	2.7	1.9	2.3	1.5
3.0 m	outriggers down			4.4*	4.4*	10.6*	10.6*	8.7*	8.7*	7.4*	7.4*	6.4*	6.4*	5.7*	5.7*	5.2*	5.2*	4.7*	4.7*	4.3*	4.3*
	outriggers up			4.4*	4.4*	7.2	5.1	5.9	4.2	4.9	3.5	4.1	3.0	3.5	2.5	3.0	2.1	2.6	1.7	2.2	1.5
1.5 m	outriggers down			4.2*	4.2*	9.2*	9.2*	9.1*	9.1*	7.7*	7.7*	6.7*	6.7*	6.0*	6.0*	5.3*	5.3*	4.8*	4.8*	4.4*	4.4*
	outriggers up			4.2*	4.2*	6.8	4.7	5.6	3.9	4.6	3.3	3.9	2.8	3.4	2.3	2.9	2.0	2.5	1.7	2.2	1.4
0 m	outriggers down			4.5*	4.5*	8.5*	8.5*	9.4*	9.4*	8.0*	8.0*	7.0*	6.9*	6.1*	6.1*	5.4*	5.4*	4.9*	4.9*		
	outriggers up			4.5*	4.5*	6.5	4.5	5.3	3.7	4.5	3.1	3.8	2.6	3.2	2.2	2.8	1.9	2.4	1.6		
-1.5 m	outriggers down			5.1*	5.1*	8.6*	8.6*	9.6*	9.6*	8.1*	8.1*	7.0*	7.0*	6.2*	6.2*	5.5*	5.5*	5.0*	4.9*		
	outriggers up			5.1*	5.1*	6.4	4.4	5.2	3.6	4.3	3.0	3.7	2.5	3.2	2.1	2.7	1.8	2.4	1.6		
-3.0 m	outriggers down			5.6*	5.9*	9.1*	9.1*	9.6*	9.6*	8.2*	8.2*	7.1*	7.1*	6.2*	6.2*	5.5*	5.5*				
	outriggers up			5.6*	5.6	6.3	4.3	5.1	3.5	4.3	2.9	3.6	2.4	3.1	2.1	2.7	1.8				
-4.5 m	outriggers down			6.7*	6.7*	9.9*	9.9*	9.5*	9.5*	8.1*	8.1*	7.0*	7.0*	6.1*	6.1*	5.3*	5.3*				
	outriggers up			6.7*	5.7	6.4	4.4	5.1	3.5	4.3	2.9	3.6	2.4	3.2	2.1	2.7	1.8				
-6.0 m	outriggers down					10.8*	10.8*	9.1*	9.1*	7.8*	7.8*	6.7*	6.7*	5.8*	5.8*						
	outriggers up					6.5	4.5	5.2	3.6	4.3	3.0	3.7	2.5	3.2	2.1						

The specified max. loading capacities in tonnes include a stability of 33% or are calculated at 87% of the hydraulic lifting power, as per ISO10567. These values are applicable at the tip of the arm with optimum positioning of the corresponding arm system. * Value limited due to hydraulics. Weights of attached load carrying accessories (grab, magnet, load hook, etc.) are not included with the load carrying values.

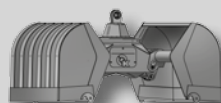
Attachments



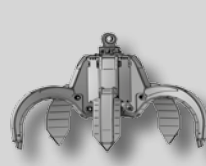
Load hook



Log grab



Clamshell grab



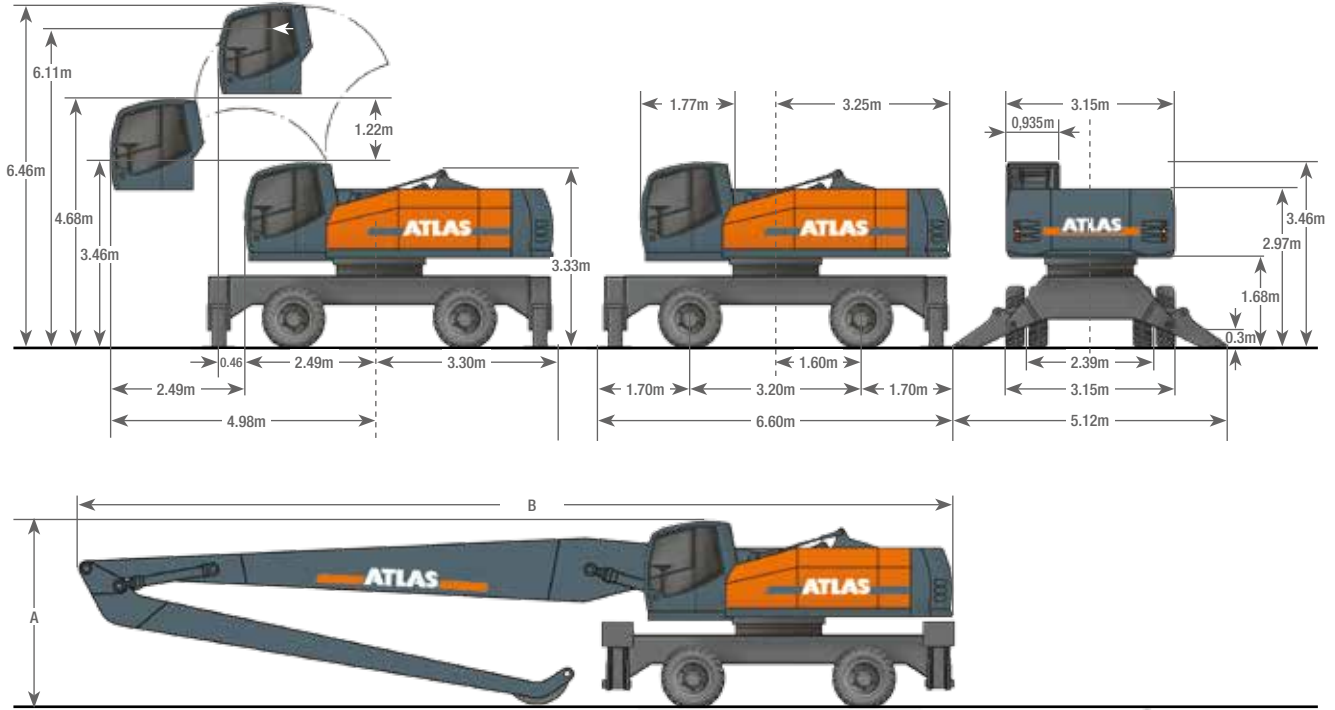
Orange peel grab



Load lifting magnet

DIMENSION 520MH

Dimensions



A TRANSPORT HEIGHT

Loading boom 9.80 m (C94.5i) with Stick 7.50 m (D94.15i).....	3.46 m
Loading boom 12.10 m (C94.6i) with Stick 9.24 m (D94.16i)....	3.46 m
Loading boom 12.10 m (C94.6id) with Stick 9.24 m (D94.16i)..	3.47 m

B TRANSPORT LENGTH

Loading boom 9.80 m (C94.5i) with Stick 7.50 m D94.15i).....	14.10 m
Loading boom 12.10 m (C94.6i) with Stick 9.24 m (D94.16i)....	16.40 m
Loading boom 12.10 m (C94.6id) with Stick 9.24 m D94.16i)....	16.23 m

ATLAS SINCE 1919 Material Handling
Machine 520MH

520MH-EN (1) Effective date: 04/2016. Product specifications and prices are subject to change without notice or obligation. The photographs and/or drawings in this document are for illustrative purposes only. Refer to the appropriate Operator's Manual for instructions on the proper use of this equipment. Failure to follow the appropriate Operator's Manual when using our equipment or to otherwise act irresponsibly may result in serious injury or death. The only warranty applicable to our equipment is the standard written warranty applicable to the particular product and sale and Atlas makes no other warranty, express or implied. The only warranty applicable to our equipment is the standard written warranty applicable to the particular product and sale and Atlas makes no other warranty, express or implied. Products and services listed may be trademarks, service marks or trade-names of Atlas GmbH and/or its subsidiaries. All rights are reserved. Atlas® is a registered trademark of Atlas GmbH. Copyright © 2010 Atlas GmbH. Ref. no. 6141751



www.atlasgmbh.com

ATLAS GmbH
EXCAVATORS
Atlasstrasse 6
27777 Ganderkesee, Germany
T: +49 (0) 4222 954 0
F: +49 (0) 4222 954 343
info@atlasgmbh.com